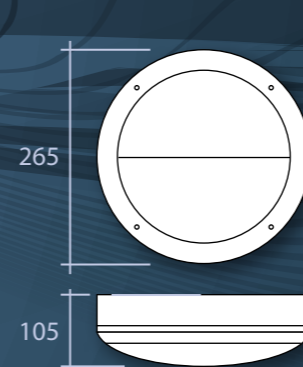
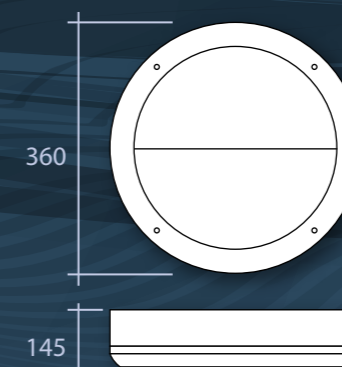


IP65 surface mounted luminaire constructed of die cast aluminium housing and front (hood) cover with UV stabilised polycarbonate vandal resistant diffuser.

Designed and manufactured to comply with EN 60598 and are CE certified.



Vestige 265



Vestige 360

### Product Specification

- Certified ingress protection to IP65
- High frequency control gear supplied as standard
- Powder coated black as standard
- Die cast aluminium construction
- Opal UV stabilised polycarbonate diffuser

### Optional Features

(Add suffix to order code)

**/AL:** Aluminium finish

**/PEC:** Dusk to dawn sensing photo-electric cell

### Lamp Options



2D: 2D Compact Fluorescent



T5C: Circular



TC-D: Compact Fluorescent

### Order Codes

Including Lamps

#### Vestige 265

Order Code	Watt	Lamp
VEST16/265	16	2D
VEST18/265	18	TC-D

#### Vestige 360

Order Code	Watt	Lamp
VEST22/360	22	T5C
VEST28/360	28	2D
VEST38/360	38	2D
VEST40/360	40	T5C
VEST55/360*	55	2D

\* Integral emergency not available for 55 watt.

Example order code:

VEST22/360/E3 – A 22 watt T5-C IP65 black body luminaire, 360mm diameter with high frequency control gear and integral emergency gear. Supplied complete with lamps.

### Gear options

**/F:** 10% Standby Dimming  
**/D:** DSI Digital Dimming

**/E3:** 3hr Emergency  
**/E3T:** Self Test Emergency

Please check with sales team for compatibility



### Applications:

- Schools & Universities
- Hotel Entrances
- Under Canopy
- Hospitals

Also available with Motion and Daylight sensors - see page 160-161