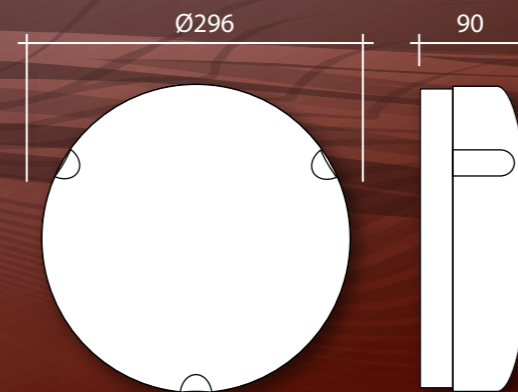




Simplicity itself. The Stair-LED Basic combines LED and Microwave technology in a single unit which replaces 2D luminaires without any rewiring. Halving the installed power and switching off when no-one is there could give you a 90% energy saving.

The product provides full automatic testing in accordance with IEC 62034.



Lamp Options



LED: Light Emitting Diode

Product Specification

- Certified ingress protection to IP54
- Complete With On/Off Microwave Presence Sensor
- Equivalent to 28W 2D lamp
- Polycarbonate housing and body
- 1000 luminaire lumens
- Replaces 2D Luminaires without the need for re-wiring

Optional Features

(Add suffix to order code)

/FSLV: Slave luminaire

Order Codes

Including Lamps

Order Code	Watt	Lumens
STAIRLED BASIC	16	1000

Example order code:
STAIRLED BASIC – A 16 watt Stair-LED luminaire with 10% standby dimming.



Applications:

- Corridor lighting
- Stairwell lighting
- Amenity lighting
- Office Emergency Lighting
- Auditorium Emergency Lighting
- Lecture Hall Emergency Lighting

Ambient temperature guidance

Stair-LED -30°C - +30°C

