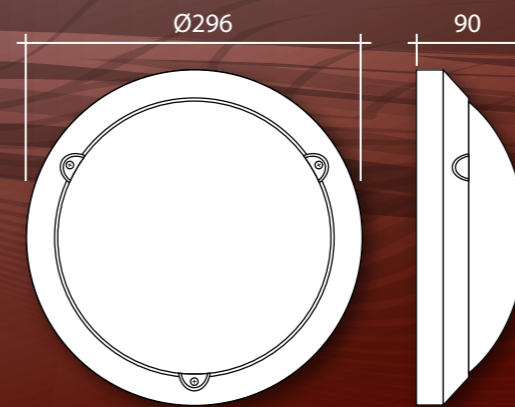




Simplicity itself. The Stair-LED combines LED and Microwave technology in a single unit which replaces 2D luminaires without any rewiring. Halving the installed power and switching off when no-one is there could give you a 90% energy saving.



The product provides full automatic testing in accordance with IEC 62034.



Lamp Options



LED: Light Emitting Diode

Product Specification

- Certified ingress protection to IP54
- Equivalent to 28W 2D lamp
- Polycarbonate housing and diffuser
- 1000 luminaire lumens

Optional Features

(Add suffix to order code)

/FSLV: Slave luminaire

Order Codes

Including Lamps

| Order Code | Watt | Lumens |
|------------|------|--------|
| STAIRLED | 16 | 1000 |

Example order code:
STAIRLED-DECO – A 16 watt Stair-LED luminaire with 10% standby dimming and 3 hour maintained emergency.



Applications:

- Office Emergency Lighting
- Auditorium Emergency Lighting
- Lecture Hall Emergency Lighting

Ambient temperature guidance

LED Tube -30°C - +30°C



Gear options

- /M3:** 3hr Emergency
- /S3:** Self Test Emergency