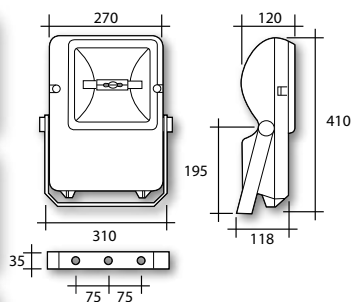
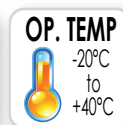


SOLENT 1



110V version available

A range of installation columns and brackets are available - Please contact our sales team for further information.



- High efficiency compact floodlight incorporating either 70 or 150 watt metal halide or high pressure sodium lamps.
- Supplied as standard with timed ignitor to prevent lamp cycling. Highly durable die cast aluminium body.
- Epoxy powder coated black for corrosion resistance. High purity symmetric reflector for improved efficiency. Quality integral control gear for trouble free use. Wired with high temperature silicone insulated cable for maximum heat resistance. Hinged drop down front panel for ease of maintenance.
- Captive fixings and rugged construction for a long service life. Adjustable stirrup for maximum flexibility in mounting.

Code	Description - Including Lamps	Watt
TMP70S	Black body, toughened glass - SI lamp SON	70
TMP70Q	Black body, toughened glass - QDE lamp Metal Halide	70
TMP150Q	Black body, toughened glass - QDE lamp Metal Halide	150

Optional Features (add suffix to order code)

/FTB: Fused terminal block

/PEC: Dusk to dawn sensing photo-electric cell

/WG: Wire guard for improved protection

/LV: 110V option 70W SON/MH

/HF/LV: 110V option 150W SON/MH

