

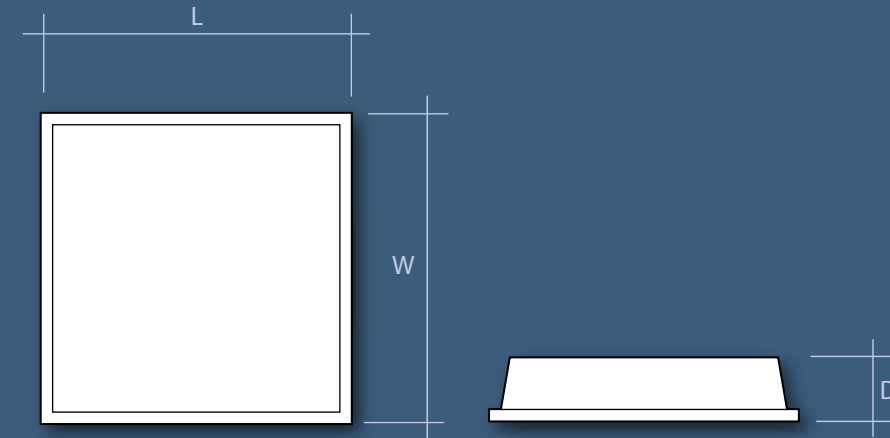
SOFT TONE

RECESSED FLUORESCENT LUMINAIRES
For general commercial application



A new generation of direct/indirect recessed fluorescent luminaires producing high levels of illumination. Ideally suited to applications where an even glare free environment is required.

Designed and manufactured to comply with EN 60598 and are CE certified.



Lamp Options

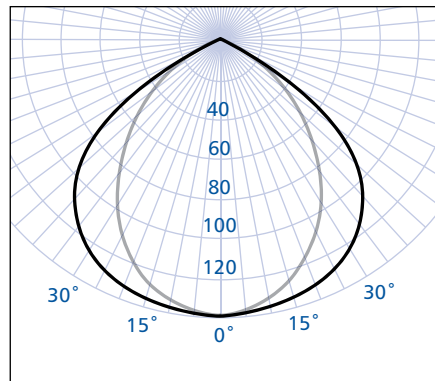


TC-L: Linear Compact Fluorescent Lamp

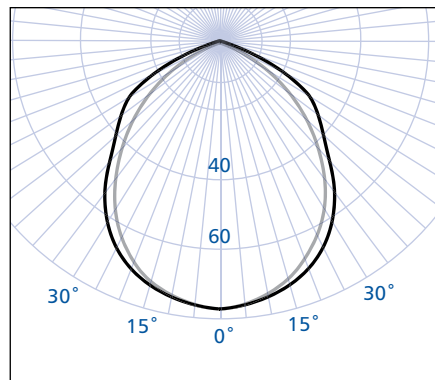


T5: 16mm Fluorescent Tube

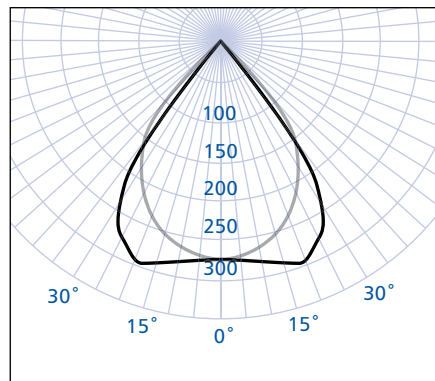
Photometry



WSTR255/HF



WSTR255/HF/EDG



WSTR255/HF/LVR



3



5

Available in five versions:

1. Centre perforated basket with both direct and indirect illumination
2. Centre solid basket for indirect illumination
3. Edge perforated baskets with both direct and indirect illumination
4. Edge solid baskets for indirect illumination
5. Centre perforated basket with highly specular louvre for direct and indirect illumination

Applications:

- Reception areas
- Commercial offices
- Opticians and doctors surgeries
- Meeting rooms
- Retail applications

Standard Features

- High efficiency linear compact fluorescent lamps
- Perforated baskets
- Choice of high frequency or class B2 switch start control gear (36 watt switch start as standard)
- Slim profile ideally suited for ceiling voids with limited access
- Suitable for both 15 and 25mm exposed "T" ceiling systems
- Suitable for concealed grid ceiling systems with the use of optional side arm support brackets
- Powder coated white to RAL9010 for a superior finish
- Quick release baskets for ease of installation and lamp change
- Perforated baskets are fitted with a special diffuser film to reduce glare
- Fabricated on the most modern equipment available to ensure perfect construction

To order Features

(Add suffix to order code)

/SOL: Solid basket(s) - not available on /LVR version

/HF: High frequency control gear (36 watt only, 55 watt HF as standard)

/HFDDIM: High frequency digital dimming control gear

/HFADIM: High frequency analogue dimming control gear for TC-L lamps only (1-10 volt control)

/E3: Remote maintained three hour emergency (IP 20 rated)

/FTB: Fused terminal block

/WSTR/S-CLIP: Set of four side arm support bracket - four required per fitting

Specification Guide

Centre perforated basket - TC-L Lamps

Order Code	Watt	L	W	D	Kg
WSTR236	2 x 36	596	596	94	5.5
WSTR255/HF	2 x 55	596	596	94	5.3

Edge perforated basket - TC-L Lamps

Order Code	Watt	L	W	D	Kg
WSTR236/EDG	2 x 36	596	596	94	5.5
WSTR255/HF/EDG	2 x 55	596	596	94	5.3

Centre perforated basket with highly specular anodised louvre (not suitable for concealed grid ceilings) - TC-L & T5 Lamps

Order Code	Watt	L	W	D	Kg
WSTR255/HF/LVR	2 x 55	596	596	100	3.5
WSTR224/HF/LVR*	2 x 24	596	596	100	3.5
WSTR255+214/HF/LVR*	2 x 55 2 x 14	596	596	100	5.3

* Please note combines TC-L and T5 lamps, two circuits.

Example order code:

WSTR255/HF/E3INT/SOL - A 2 x 55 watt recessed luminaire with a centre solid basket, high frequency control gear and an integral three hour emergency facility. Supplied without lamp.