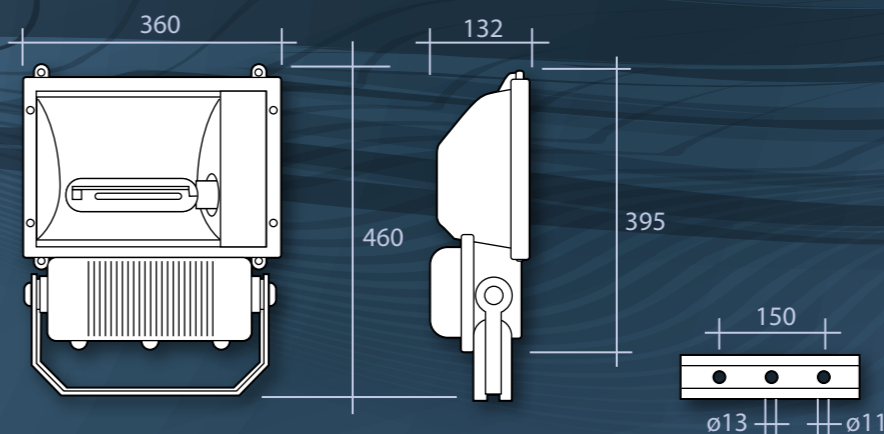




High performance premium quality floodlight with precision optics incorporating either a 250 or 400 watt metal halide or high pressure sodium discharge lamp.



Designed and manufactured to comply with EN 60598 and are CE certified.



Lamp Options



S: Tubular High Pressure Sodium



Q: Tubular Metal Halide

Order Codes

Including Lamps

Order Code	Watt	Kg	Lamp
SSO250S	250	8.1	S
SSO400S	400	8.9	S
SSO250Q	250	8.1	Q
SSO400Q	400	8.9	Q

Example order code:

SSO400Q/TI/PEC – A 400 watt metal halide floodlight with an IP66 aluminium body, timed ignitor, asymmetric reflector and photo-electric cell. Supplied complete with lamp.

Product Specification

- Certified ingress protection to IP66
- Choice of metal halide or high pressure sodium lamp included
- Highly durable die cast aluminium body
- Epoxy powder coated silver for maximum corrosion resistance (RAL 9006)
- High purity anodised aluminium asymmetric reflector for reduced light spill
- Quality integral control gear for trouble free use
- Wired with high temperature silicone insulated cable for maximum heat resistance
- Easy maintenance with hinge down toughened glass front
- Captive fixings and rugged construction for a long service life
- Adjustable stirrup with aiming facility for precision mounting
- All gaskets are manufactured from heat resistant silicone rubber to ensure the IP66 rating
- For photometry details refer to Page 215 graph ref PC017
- **Windage guide - 0.13m²**

Optional Features

(Add suffix to order code)

/TI: Timed ignitor to prevent lamp cycling

/FTB: Fused terminal block

/PEC: Dusk to dawn sensing photo-electric cell

For fixing brackets see pages 68-69. For further information on these and for column information please speak to the sales team.



Applications:

- Security and general access
- Architectural features
- Car parks
- Exterior lighting
- Sports facilities