

High performance premium quality floodlight with precision optics for 1000 watt metal halide lamps.



/SYN Symmetric narrow beam reflector

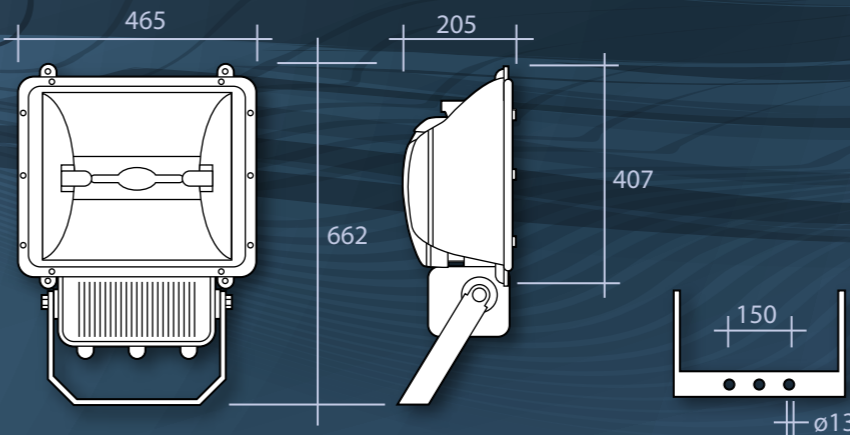


/ASN Asymmetric narrow beam reflector



/HIC High intensity circular reflector

Designed and manufactured to comply with EN 60598 and are CE certified.



### Lamp Options



QDEL/C: Linear Long Arc Metal Halide with Cable Connection

### Product Specification

- Certified ingress protection to IP66
- Choice of asymmetric, symmetric, or high intensity beam to best suit the application
- Metal halide lamp included
- Highly durable die cast aluminium body
- Epoxy powder coated for maximum corrosion resistance (RAL 9006)
- High purity anodised aluminium reflector with a glare control baffle for maximum comfort
- Quality integral control gear for trouble free use
- Wired with high temperature silicone insulated cable for maximum heat resistance
- Easy maintenance with hinge down toughened glass front
- Captive fixings and rugged construction for a long service life
- Adjustable stirrup with aiming facility for precision mounting
- All gaskets are manufactured from heat resistant silicone rubber to ensure the IP66 rating

### Optional Features

(Add suffix to order code)

/TI: Timed ignitor to prevent lamp cycling

/FTB: Fused terminal block

**For fixing brackets see pages 68-69. For further information on these and for column information please speak to the sales team.**

### Order Codes

Including Lamps

Order Code	Watt	Kg	Lamp
SLA1000Q/*	1000	25.4	QDEL/C

\*/ Please note requires a reflector option

### Reflector options

(Add suffix to order code)

/ASN: Asymmetric narrow beam

/SYN: Symmetric narrow beam

/HIC: High intensity circular

Example order code:  
SLA1000Q/TI/ASN - A 1000 watt metal halide floodlight with an IP66 aluminium body, integral control gear, timed ignitor and asymmetric narrow beam reflector. Supplied complete with lamp.



### Applications:

- Football pitches
- Golf driving ranges
- Training grounds
- Stadium lighting
- Security and general access
- Railway marshalling yards
- Lorry parks
- Docks