

SERENA & GARDEN IP65

LUMINAIRES

For residential area lighting



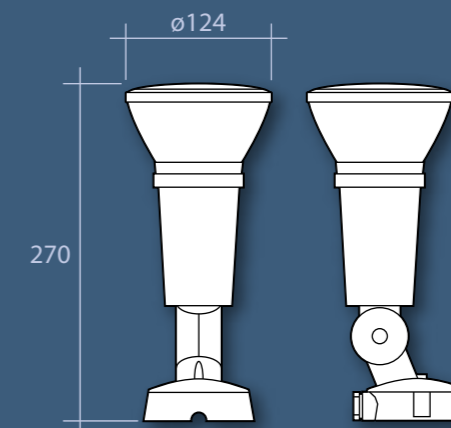
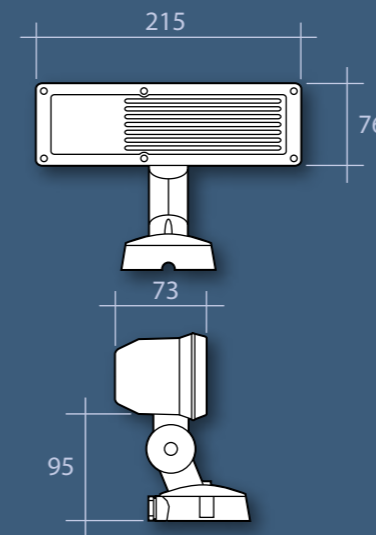
Serena



Garden

Serena is a high efficiency amenity luminaire incorporating an energy saving 9 watt compact fluorescent lamp which produces a wall wash effect whilst Garden uses a PAR38 reflector lamp which gives a dramatic low cost floodlighting effect.

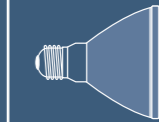
Designed and manufactured to comply with EN 60598 and are CE certified.



Lamp Options



TC-S: Compact Fluorescent



PAR: Incandescent Reflector

Serena IP65 Wall Wash Luminaire

Standard Features

- Certified ingress protection to IP65
- Versatile application can be either ground mounted on a spike or wall mounted
- UV stabilised impact resistant polycarbonate construction
- Integral control gear with a low energy 9 watt compact fluorescent lamp
- Easily adjusted on rotational base plate
- Supplied with an IP65 wiring gland
- All gaskets are manufactured from heat resistant silicone rubber to ensure the IP65 rating

Garden IP65 Effect Floodlight

Standard Features

- Certified ingress protection to IP65
- Versatile application can be either ground mounted on a spike or wall mounted
- UV stabilised impact resistant polycarbonate construction
- For use with an ES (E27) PAR38 incandescent 120 watt lamp (not included)
- Easily adjusted on rotational base plate
- Supplied with an IP65 wiring gland
- All gaskets are manufactured from heat resistant silicone rubber to ensure the IP65 rating

Specification Guide

Serena IP65 Wall Wash Luminaire

Order Code	Watt	Kg	Lamp
WGR9	9	0.8	TC-S

Example order code:

WGR9 – A black 9 watt wall wash luminaire with a 9 watt compact fluorescent lamp.

Garden IP65 Effect Floodlight

Order Code	Watt	Kg	Lamp
WGS38	120	0.5	PAR

Example order code:

WGS38 – A black 120 watt PAR38 floodlight supplied without lamp.



Applications:

- Pathways
- Patios
- Architectural features
- Security lighting
- Gardens