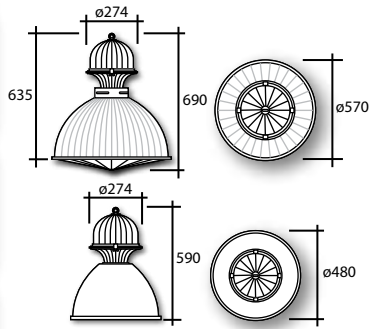


# ROMSEY HIGH BAY



PCHB150S



CHB150S

- 150W-400W**  
S/Q/QP
- 1 YEAR\***  
WARRANTY
- IP20**  
RATING
- OP. TEMP**  
-20°C  
to  
+40°C
- VOLTAGE**  
AC220 - 240V

- High efficiency High Bay luminaire incorporating either metal halide or high pressure sodium lamp with power ratings ranging from 150 to 400 watts. A wide range of accessories are available to offer solutions for demanding applications.
- Metal halide versions supplied with toughened front glass for added safety. Supplied as standard with timed ignitor to prevent lamp cycling.
- Corrosion resistant epoxy powder coated aluminium body.
- Gear tray easily removed for trouble free installation and c/w wiring gland. Quality sub components for extended service life.
- Available with option of polycarbonate refractor.



Code	Description - with Reflector - Including Lamps	Watt
CHB150S	Aluminium body & spun reflector - S lamp SON	150
CHB250S	Aluminium body & spun reflector - S lamp SON	250
CHB400S	Aluminium body & spun reflector - S lamp SON	400
CHB250Q	Aluminium body & spun reflector - Q lamp Metal Halide	250
CHB400Q	Aluminium body & spun reflector - Q lamp Metal Halide	400
Code	Description - with Refractor - Including Lamps	Watt
PCHB150S	Polycarbonate refractor - S lamp SON	150
PCHB250S	Polycarbonate refractor - S lamp SON	250
PCHB400S	Polycarbonate refractor - S lamp SON	400
PCHB250QP	Polycarbonate refractor - QP lamp Metal Halide	250
PCHB400QP	Polycarbonate refractor - QP lamp Metal Halide	400