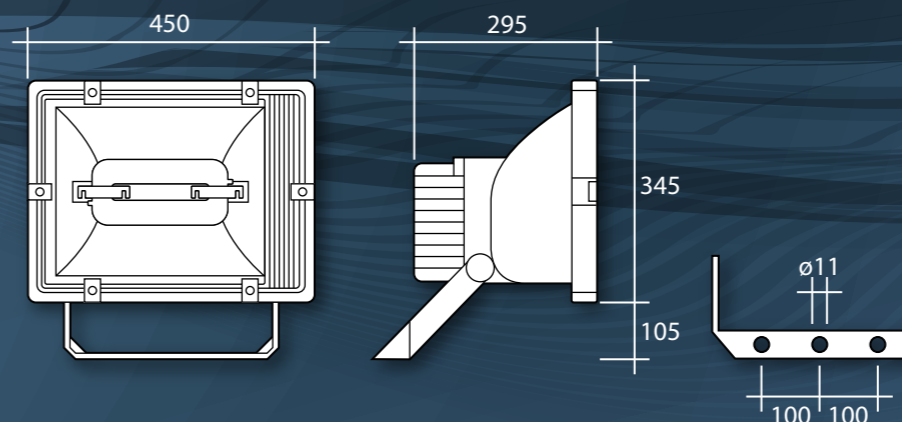


High efficiency floodlights with Ultra Long Lamp Life incorporating the Osram Endura Lumilux lamp driven by Osram Quicktronic high frequency control gear.

Designed and manufactured to comply with EN 60598 and are CE certified.



Lamp Options



END: Endura

Product Specification

- Certified ingress protection to IP65
- Massive 60,000 hours lamp life
- Flicker free instant start operation
- Hot re-strike
- Light weight high efficiency electronic control gear
- Highly durable UV stabilized impact resistant polycarbonate body
- Improved resistance to salt water corrosion
- High purity symmetric reflector for improved efficiency
- Easy installation with removable gear box cover and IP65 cable gland
- Captive fixings and rugged construction for a long service life
- Adjustable stirrup with aiming facility for precision mounting
- All gaskets manufactured from heat resistant silicone rubber to ensure IP65 rating
- For photometry details refer to Page 214 graph ref PC08
- **Windage guide = 0.15m²**

Optional Features

(Add suffix to order code)

/FTB: Fused terminal block

/PEC: Dusk to dawn sensing photo-electric cell

/WH: White housing

Accessories

/WG: Wire guard for improved efficiency

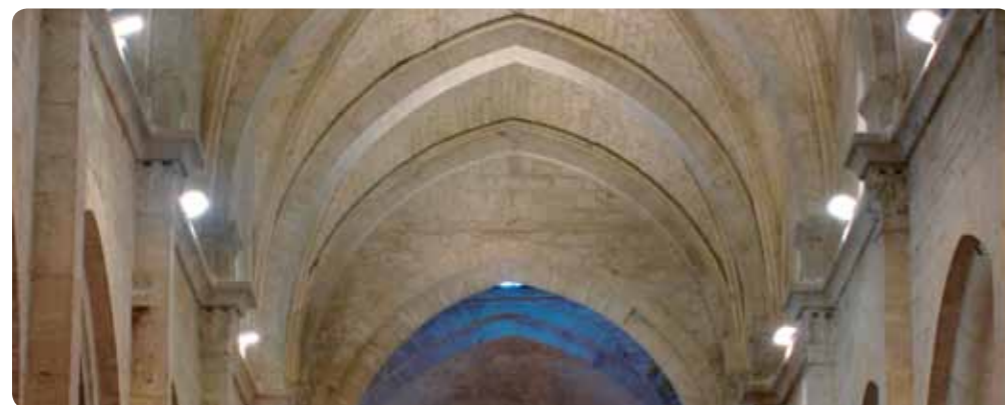
For fixing brackets see pages 68-69. For further information on these and for column information please speak to the sales team.

Order Codes

Including Lamps

Order Code	Watt	Kg	Lamp
WFL100END/POLY	100	7.2	END

Example order code:
WFL100END/POLY/PEC – A 100 watt Endura floodlight with an IP65 polycarbonate body and photo-electric cell. Supplied complete with lamp.



Applications:

- Automated 24 hour factory environments
- Installations with limited provision for maintenance or access
- Remote locations