

wirefield PROLED^{EM} REM & RSM

Recessed LED emergency luminaire with optics for illumination of escape routes, corridors or open areas.



Technical Data

Light Source	1 watt LED
Lumen output	140
Emergency mode time	3 hours
LED Rated Life	50,000 @ L80B50
Mains voltage	220-240v 50-60Hz
Power factor	>0.60
Connection	2.5mm push-in terminal
Operating temperature	0° to 40°
IP rating	IP20
IK rating	IK08
Weight	0.65kg

Battery	NiCd (LiFePO4 option for self-test)
Battery Warranty	2 Years

Installation

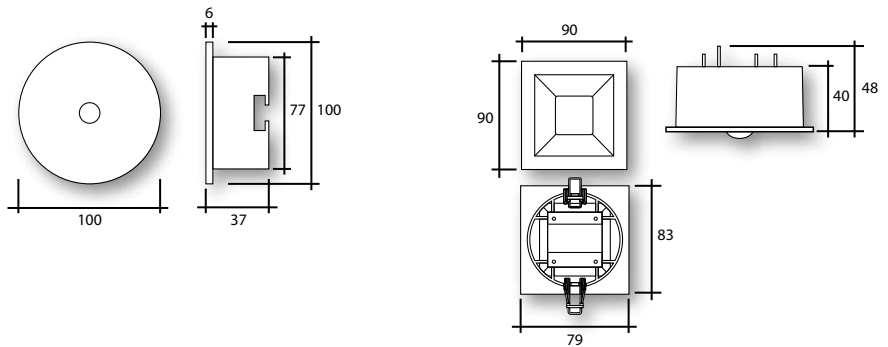
Recessed mounted
83mm cut-out - minimum 150mm clearance

Options

Light Grey or Black body
Integral test button

Standards

EN 60598-1:2015/AC:2016EN 61347-2-7:2012
EN 60598-2-2:2012
EN 60598-2-22:1997+A1:2002+A2:2008
EN 61347-1:2015
EN 61347-2-7:2012
CE
ROHS



Product Specification

Round	Square	MODE	FUNCTION	Optic
REM3NMR	RSM3NMR	NM	Standard	Corridor / Escape Route
REM3MER	RSM3MER	NM / M	Standard	Corridor / Escape Route
REM3NMRST	RSM3NMRST	NM	Self-Test	Corridor / Escape Route
REM3MERST	RSM3MERST	NM / M	Self-Test	Corridor / Escape Route
REM3CBER	RSM3CBER	Central Battery	240v / 24v AC-DC	Corridor / Escape Route
REM3NMOA	RSM3NMOA	NM	Standard	Open Area
REM3MOA	RSM3MOA	NM / M	Standard	Open Area
REM3NMOAST	RSM3NMOAST	NM	Self-Test	Open Area
REM3MOAST	RSM3MOAST	NM / M	Self-Test	Open Area
REM3CBOA	RSM3CBOA	Central Battery	240v / 24v AC-DC	Open Area
REM3NMRIP65		NM	Standard	Corridor / Escape Route
REM3MERIP65		NM / M	Standard	Corridor / Escape Route
REM3NMRSTIP65		NM	Self-Test	Corridor / Escape Route
REM3MERSTIP65		NM / M	Self-Test	Corridor / Escape Route
REM3CBERIP65		Central Battery	240v / 24v AC-DC	Corridor / Escape Route
REM3NMOAIP65		NM	Standard	Open Area
REM3MOAIP65		NM / M	Standard	Open Area
REM3NMOASTIP65		NM	Self-Test	Open Area
REM3MOASTIP65		NM / M	Self-Test	Open Area
REM3CBOAIP65		Central Battery	240v / 24v AC-DC	Open Area

LIGHTING INNOVATION FOR EMERGENCY APPLICATIONS