



wirefield

PROLED 75 CSA

75,000 hrs
L80/B50

**RECESSED
CIRCULAR
GIMBAL**



Technical Specification

- Powder coated die cast aluminium body.
- Recessed mounting.
- 40° faceted aluminium reflector.
- CRI80 and CRI90 option.
- IP20.

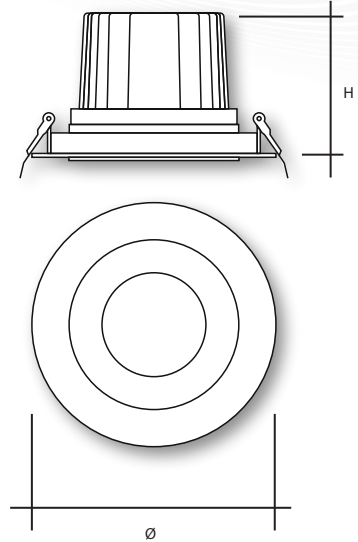
Features

Wattage	13w to 19w
Lumens per Watt	Up to 119
CRI	80+
L**B**	75,000 hours L80 B50
Driver	Fixed Output / Dali / Switch Dim
Colour Temperature	4000k
Temperature Rating	0°C to +40°C

LIGHTING INNOVATION FOR RETAIL APPLICATIONS

Product Specification

Code	Watts	Delivered lumens	CCT	CRI	∅ x H (mm)	Cut Out (mm)	Weight (kg)
CSA1143K80FL	14	1604	3000	80+	180 x 125	170	1.4
CSA1193K80FL	19	2226	3000	80+	180 x 125	170	1.4
CSA1144K80FL	14	1644	4000	80+	180 x 125	170	1.4
CSA1194K80FL	19	2282	4000	80+	180 x 125	170	1.4
CSA1143K90FL	13	1312	3000	90+	180 x 125	170	1.4
CSA1193K90FL	18	1839	3000	90+	180 x 125	170	1.4
CSA1144K90FL	13	1403	4000	90+	180 x 125	170	1.4
CSA1194K90FL	18	1965	4000	90+	180 x 125	170	1.4



Control Options

Driver Options:

- Fixed Output
- DALI Driver
- Switch Dim

Reflector Options

Additional Options:

- 24° faceted aluminium reflector

Full photometry and LDT files available on request

Designed & manufactured to comply with EN 60598 and are CE certified

LIGHTING INNOVATION FOR RETAIL APPLICATIONS