



# wirefield PROLED50 ROV

**50,000 hrs**  
**L80/B50**

ARCHITECTURAL  
OVAL AMENITY



## Technical Specification

- Die cast aluminium body.
- Impact resistant, UV stable opal polycarbonate diffuser.
- IP54.
- IK08.
- RAL colour options.

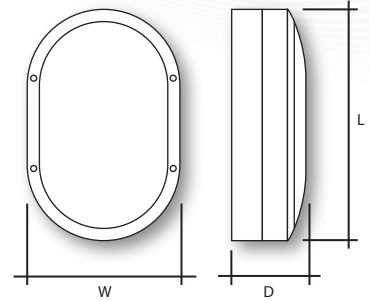
## Features

Wattage	10w (7w Louvered version)
Lumens per Watt	Up to 86
CRI	80+
L**B**	50,000 hours L80 B50
Driver	Fixed Output
Colour Temperature	4000k
Temperature Rating	-25°C to +40°C

*LIGHTING INNOVATION FOR ARCHITECTURAL APPLICATIONS*

**Product Specification**

Code	Watts	Delivered lumens	CCT	L x W x D (mm)	Weight (kg)
ROV1104K	10	835	4000K	280 x 185 x 95	1.7
ROV1074KLOU	7	451	4000K	280 x 185 x 95	2.0



**Control Options**

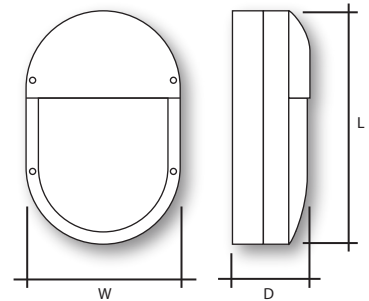
Driver Options:

Fixed Output

**LED Options**

Additional Options:

CCT 3000K



**Accessories**

Optional Accessories:

RAL colour options

Full photometry and LDT files available on request

Designed & manufactured to comply with EN 60598 and are CE certified

*LIGHTING INNOVATION FOR ARCHITECTURAL APPLICATIONS*