

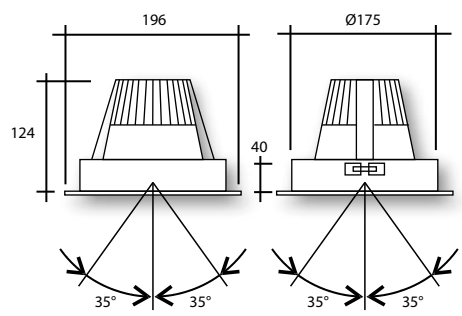


wirefield

PROLED50 FSD

50,000 hrs
L80/B10

**RECESSED
GIMBAL**



Technical Specification

- Powder coated die cast aluminium body.
- MacAdam 2 SDCM.
- Recessed mounting.
- RAL9006 – Silver, RAL9016 – White, RAL9005 – Black.
- Adjustable driver.
- Citizen 6th Generation LED COB.
- IP23.

Features

Wattage	25w to 55w
Lumens per Watt	Up to 129
CRI	90+ (Below BBL @ 3000K)
L**B**	50,000 hours L80 B10
Driver	Adjustable Fixed Output / DALI
Colour Temperature	4000k

LIGHTING INNOVATION FOR RETAIL APPLICATIONS

Product Specification

COB38	CRI90+ 3000K Below BBL	CRI90+ 4000K	Reflector Options	Colour Options
25w (650ma)	2800lm	3000lm	10° 24° 30° 50°	Silver, White, Black
35W (900ma)	3625lm	3875lm	10° 24° 30° 50°	Silver, White, Black
43w (1050ma)	4075lm	4350lm	10° 24° 30° 50°	Silver, White, Black

COB48	CRI90+ 3000K Below BBL	CRI90+ 4000K	Reflector Options	Colour Options
25w (650ma)	3000lm	3225lm	20° 40° 60°	Silver, White, Black
40W (1050ma)	4575lm	4900lm	20° 40° 60°	Silver, White, Black
55w (1400ma)	5750lm	6125lm	20° 40° 60°	Silver, White, Black

LED Options

Additional Options:

CRI80+ 2700K, 3000K, 4000K, 5000K

CRI90+ 2700K Below BBL, 3500K Below BBL

Full photometry and LDT files available on request

Designed & manufactured to comply with EN 60598 and are CE certified

LIGHTING INNOVATION FOR RETAIL APPLICATIONS