

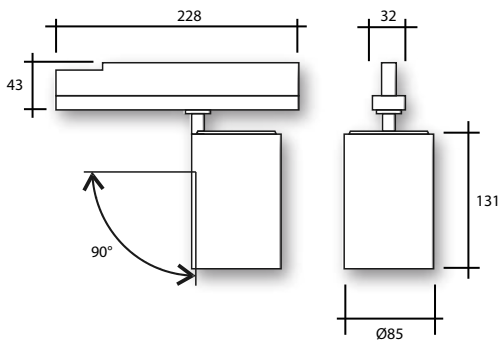


wirefield

PROLED50 DN15X

50,000 hrs
L80/B10

TRACK
MOUNTED



Technical Specification

- Powder coated die cast aluminium body.
- MacAdam 2 SDCM.
- Global 3-circuit track adaptor.
- RAL9006 – Silver, RAL9016 – White, RAL9005 – Black.
- Concealed 'In Track' driver.
- Citizen 6th Generation LED COB.
- IP20.

Features

Wattage	21w to 35w
Lumens per Watt	Up to 122
CRI	90+ (Below BBL @ 3000K)
L**B**	50,000 hours L80 B10
Driver	Adjustable Fixed Output / DALI
Colour Temperature	4000k

LIGHTING INNOVATION FOR RETAIL APPLICATIONS

Product Specification

	CRI90+ 3000K Below BBL	CRI90+ 4000K	Reflector Options	Colour Options
21w (550ma)	2400lm	2575lm	15° 28° 35°	Silver, White, Black
27w (700ma)	2925lm	3125lm	15° 28° 35°	Silver, White, Black
35w (900ma)	3600lm	3850lm	15° 28° 35°	Silver, White, Black

LED Options

Additional Options:

CRI80+ 2700K, 3000K, 4000K, 5000K

CRI90+ 2700K Below BBL, 3500K Below BBL

Full photometry and LDT files available on request

Designed & manufactured to comply with EN 60598 and are CE certified

LIGHTING INNOVATION FOR RETAIL APPLICATIONS