

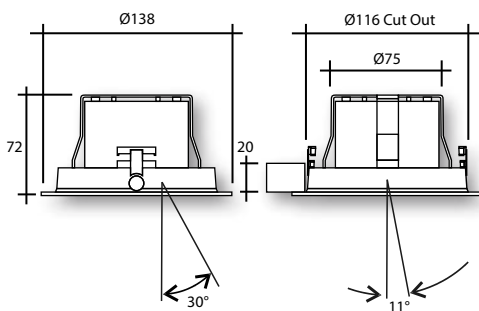


wirefield

# PROLED50 CCD

**50,000 hrs**  
**L80/B10**

**COMPACT  
RECESSED  
CIRCULAR  
GIMBAL**



## Technical Specification

- Powder coated die cast aluminium body.
- MacAdam 2 SDCM.
- Recessed mounting.
- RAL9006 – Silver, RAL9016 – White, RAL9005 – Black.
- Adjustable driver.
- Citizen 6th Generation LED COB.
- IP20.

## Features

Wattage	12w to 29w
Lumens per Watt	Up to 111
CRI	90+ (Below BBL @ 3000K)
L*B**	50,000 hours L80 B10
Driver	Adjustable Fixed Output / DALI
Colour Temperature	4000k

*LIGHTING INNOVATION FOR RETAIL APPLICATIONS*

## Product Specification

COB38	CRI90+ 3000K Below BBL	CRI90+ 4000K	Reflector Options	Colour Options
12w (300ma)	1300lm	1450lm	15° 21° 32° 46°	Silver, White, Black
25W (650ma)	2575lm	2775lm	15° 21° 32° 46°	Silver, White, Black
29w (750ma)	2925lm	3150lm	15° 21° 32° 46°	Silver, White, Black

## LED Options

### Additional Options:

CRI80+ 2700K, 3000K, 4000K, 5000K

CRI90+ 2700K Below BBL, 3500K Below BBL

Full photometry and LDT files available on request

Designed & manufactured to comply with EN 60598 and are CE certified

*LIGHTING INNOVATION FOR RETAIL APPLICATIONS*