

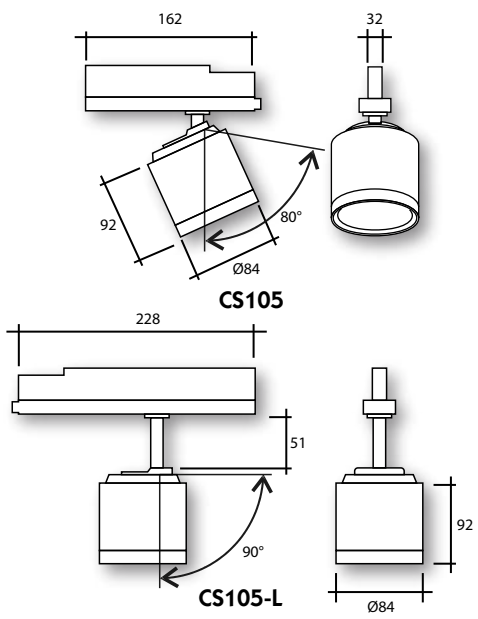


wirefield

PROLED50 CS105

50,000 hrs
L80/B10

**TRACK
MOUNTED**



Technical Specification

- Powder coated die cast aluminium body.
- MacAdam 2 SDCM.
- Global 3-circuit track adaptor.
- RAL9006 – Silver, RAL9016 – White, RAL9005 – Black.
- Concealed 'In Track' driver.
- Citizen 6th Generation LED COB.
- Optional Extended Arm.
- IP20.

Features

Wattage	18w to 34w
Lumens per Watt	Up to 128
CRI	90+ (Below BBL @ 3000K)
L**B**	50,000 hours L80 B10
Driver	Adjustable Fixed Output / DALI
Colour Temperature	4000k

LIGHTING INNOVATION FOR RETAIL APPLICATIONS

wirefield PROLED50 CS105

Product Specification

GAO17	CRI90+ 3000K Below BBL	CRI90+ 4000K	Reflector Options	Colour Options
18w (500ma)	2150lm	2300lm	15° 20° 30° 50°	Silver, White, Black
21w (550ma)	2350lm	2500lm	15° 20° 30° 50°	Silver, White, Black
23w (600ma)	2525lm	2700lm	15° 20° 30° 50°	Silver, White, Black
25w (650ma)	2725lm	2750lm	15° 20° 30° 50°	Silver, White, Black
GAO16				
27w (700ma)	2875lm	3075lm	15° 20° 30° 50°	Silver, White, Black
29w (750ma)	3050lm	3250lm	15° 20° 30° 50°	Silver, White, Black
31w (800ma)	3200lm	3425lm	15° 20° 30° 50°	Silver, White, Black
34w (850ma)	3350lm	3575lm	15° 20° 30° 50°	Silver, White, Black

LED Options

Additional Options:

CRI80+ 2700K, 3000K, 4000K, 5000K

CRI90+ 2700K Below BBL, 3500K Below BBL

Full photometry and LDT files available on request

Designed & manufactured to comply with EN 60598 and are CE certified

LIGHTING INNOVATION FOR RETAIL APPLICATIONS

Tel: 0844 847 5100 Fax: 0844 847 5101 Web: www.wirefield.co.uk Email: sales@wirefield.co.uk