



wirefield PROLED 100 MPF

100,000 hrs
L90/B10

**MEDIUM
POWER
FLOODLIGHT**



Technical Specification

- Die-cast aluminium body with tempered glass cover.
- Choice of 8 optic packages.
- IP65.
- IK08.
- Timed-dim control option.
- RAL colour options.

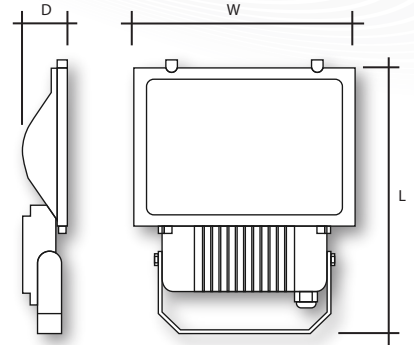
Features

Wattage	34w to 212w
Lumens per Watt	Up to 126
L*B**	100,000 hours L90 B10
Driver	Constant Current / Dali / Timed-Dim
Colour Temperature	4000k
Temperature Rating	-30°C to +40°C

LIGHTING INNOVATION FOR EXTERNAL APPLICATIONS

Product Specification

Code	Watts	Delivered lumens	L x W x D (mm)	Weight (kg)
MPF1343K90	34	4103	338 x 280 x 60	2.8
MPF1533K90	53	5734	338 x 280 x 60	2.8
MPF1693K90	69	8277	444 x 353 x 66	5.0
MPF11063K90	106	11469	444 x 353 x 66	5.0
MPF11323K90	132	14336	515 x 420 x 87	7.6
MPF11593K90	159	17203	515 x 420 x 87	7.6
MPF12123K90	212	22937	515 x 420 x 87	7.6
MPF1344K90	34	4319	338 x 280 x 60	2.8
MPF1534K90	53	6036	338 x 280 x 60	2.8
MPF1694K90	69	8712	444 x 353 x 66	5.0
MPF11064K90	106	12072	444 x 353 x 66	5.0
MPF11324K90	132	15090	515 x 420 x 87	7.6
MPF11594K90	159	18108	515 x 420 x 87	7.6
MPF12124K90	212	24144	515 x 420 x 87	7.6



Control Options

Driver Options:

Constant Current
DALI Driver
Timed-Dim

LED Options

Additional Options:

CCT 3000K
CCT 5000K

Optic Options

Additional Options:

12°, 30°, 45°, 60°, 90°
3 x Asymmetrical variants

Accessories

Optional Accessories:

IP66 3 x 1.5mm² 16A In-line Connector
IP66 5 x 1.5mm² 16A Female Connector
IP66 5 x 1.5mm² 16A Male Connector

Full photometry and LDT files available on request

Designed & manufactured to comply with EN 60598 and are CE certified

LIGHTING INNOVATION FOR EXTERNAL APPLICATIONS