

# POLYTEMP IP65

TEMPORARY SITE LIGHTING

For low voltage construction site application



Highly durable and versatile fluorescent luminaires which offer resistance to impact and the adverse effect of moisture, dirt and dust.

Designed and manufactured to comply with EN 60598 and are CE certified.

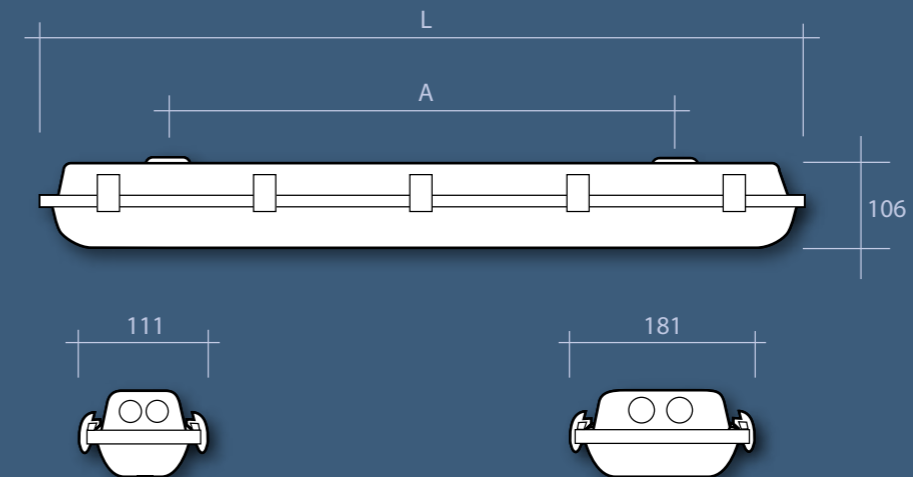


### Applications:

- Building sites
- 110 volt working areas
- Industrial task lighting

### Ambient temperature guidance

Switch start            0°C - +30°C  
Integral emergency    0°C - +25°C



### Lamp Options



T8: 26mm Fluorescent Tubes

### Standard Features

- Certified ingress protection to IP65
- Fire retardant UV stabilised impact resistant polycarbonate diffuser
- Glass fibre re-reinforced polyester body for maximum durability
- Diffuser retention clips captive to the diffuser for ease of installation
- Quality control gear and sub components for maximum service life
- Quick fix mounting with special "C" washers included in the fixing kit
- Multiple 20mm knock out entry points for maximum installation choice
- Poured neoprene closed cell anti-ageing gasket for a perfect seal
- 110 volt switch start control gear
- Power factor correction capacitor fitted
- A comprehensive range of sizes for maximum application

### To Order Features

(Add suffix to order code)

**/E3INT:** Integral maintained three hour emergency

**/SSCLIP:** Stainless steel diffuser retention clip

**/SSCLIP/VR:** Vandal resistance stainless steel diffuser retention clips

**/WCRGTCLIP:** Gear tray locking clip (Two per fitting)

**/P5C:** Fitted with 5 metres of arctic grade yellow cable and 16 amp IP65 plug

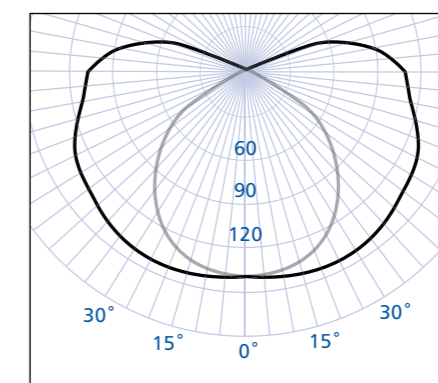
**/P-S5C:** Fitted with 2 x 5 metres of arctic grade yellow cable and a 16 amp IP65 plug and socket

**/S-RING:** Plastic encased steel suspension ring (Two per fitting)

**/HF:** High frequency control gear

**For Accessories please see pages 30/31**

### Photometry



PCR158/LV

### Specification Guide

#### T8 Tube

Order Code	Watt	L	A	Clips	Kg
PCR118/LV*	1 x 18	670	460	6	1.8
PCR136/LV	1 x 36	1278	800	8	3.5
PCR158/LV	1 x 58	1578	1100	10	4.0
PCR170/LV*	1 x 70	1840	1164	12	4.6
PCR218/LV	2 x 18	670	460	6	2.2
PCR236/LV	2 x 36	1278	800	8	5.2
PCR258/LV	2 x 58	1578	1100	10	6.9
PCR270/LV*	2 x 70	1840	1164	12	7.8

\* Please note integral emergency options are not available.

Example order code:

PCR158/LV/P5C/SSCLIP/VR/S-RING - A 1 x 58 watt T8 110 volt corrosion resistant IP65 fluorescent luminaire with switch start control gear, polycarbonate diffuser, stainless steel vandal resistant diffuser retention clips, two suspension hooks and fitted pre-wired 5 metres of yellow arctic grade cable fitted with a 16 amp IP65 plug. Supplied without lamp.