

# GLOBAL 4®

STREET LIGHTING LANTERN

For high performance roadway, urban and amenity lighting

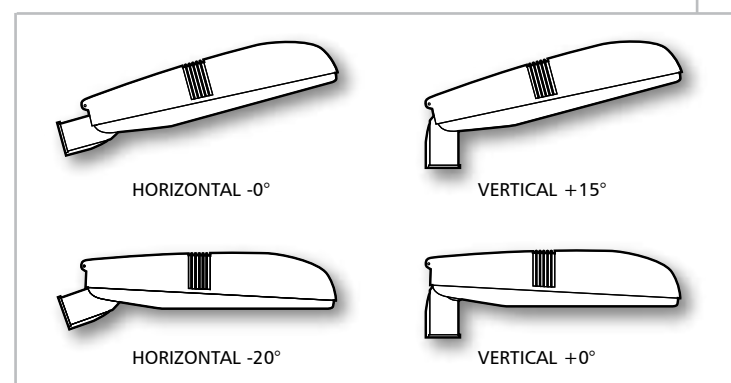
Precision engineered, IP65 street lighting lanterns, incorporating either high-pressure sodium, metal halide or mercury lamps with power ratings of 150 watt to 250 watts.

For ultimate optical control this product has an adjustable socket housing.

Designed and manufactured to comply with EN 60598-1 and are CE certified.

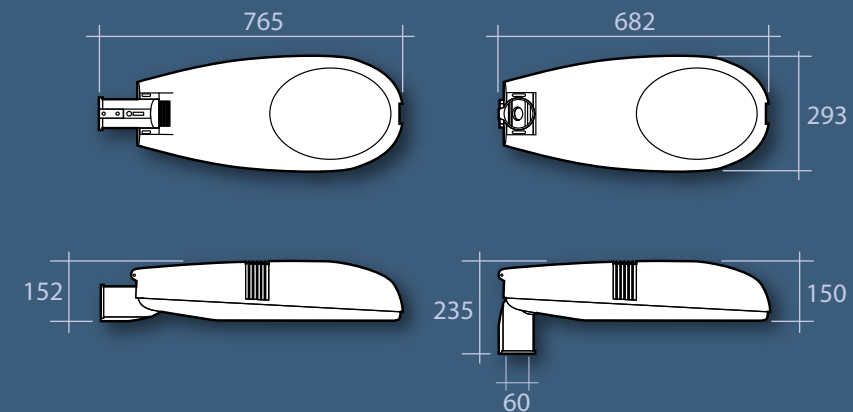


Shown with curved glass



## Applications:

- Pathway lighting
- Roadway lighting
- Car parks
- Security
- Amenity



## Lamp Options



S: Tubular High Pressure Sodium



Q: Tubular Metal Halide



M: Elliptical Diffuse Mercury

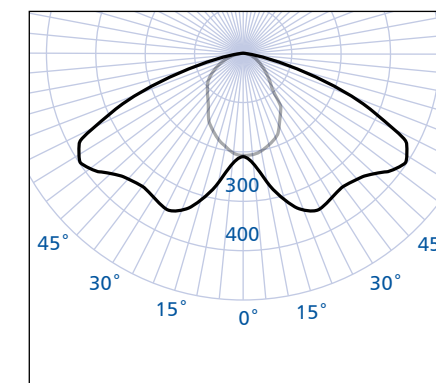
## Standard Features

- Certified ingress protection to IP65
- Choice of two optics:  
Flat toughened glass - Cut-off  
Curved toughened glass - Semi Cut-off
- All hardware are corrosion resistant stainless steel and the fastening clip is stainless steel to AISI 304
- Internal gaskets are made of antiageing, tropicalised and weather resistant silicon rubber so ensuring trouble free use
- The socket housing is made of die-cast aluminium alloy and can be adjusted for horizontal mounting with degrees of adjustment in between - this gives precise control
- The reflector is made of hydro formed 0.90mm high purity aluminium (99.85%), electrically brightened, anodised and chemically treated giving an improved distribution
- The body, cover and spigot fixings are made of high quality die-cast aluminium alloy and finished in corrosion resistant polyester powder coat paint (RAL 9007), applied over a chromate conversion coating giving an extended service life
- Pre-wired control gear is incorporated on a single piece gear tray for ease of installation and maintenance
- In-line disconnect switch assures that the electrical circuit is automatically disconnected when the luminaire is open
- **Windage guide:**  
Global 4® flat glass - 0.1004m<sup>2</sup>  
Global 4® curved glass - 0.1067m<sup>2</sup>

For fixing brackets see pages 72/73

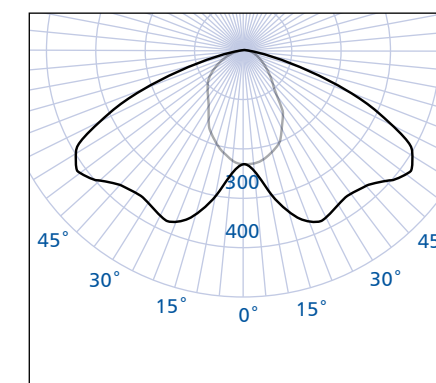
Street lighting columns and furniture can be found on pages 108/109

## Photometry



GLB6943

## Photometry



GLB6973

## Specification Guide

### Global 4® flat glass

Order Code	Watt	Kg	Lamp
GLB6941	150	9.15	S
GLB6942	150	9.15	Q
GLB6943	250	10.25	S
GLB6944	250	10.25	Q
GLB6945	250	10.25	M

### Global 4® curved glass

Order Code	Watt	Kg	Lamp
GLB6971	150	9.15	S
GLB6972	150	9.15	Q
GLB6973	250	10.25	S
GLB6974	250	10.25	Q
GLB6975	250	10.25	M

Example order code:  
GLB6942/CG - 150 watt metal halide with integral control gear, Curved Glass and supplied complete with lamp.