

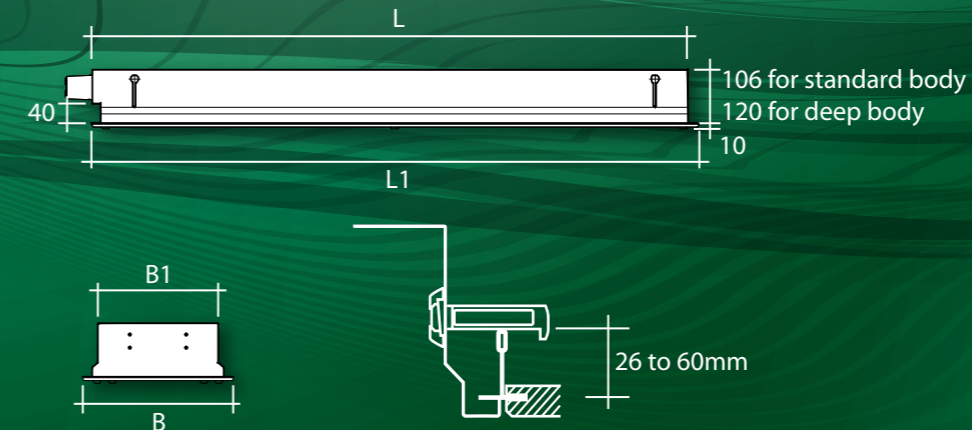
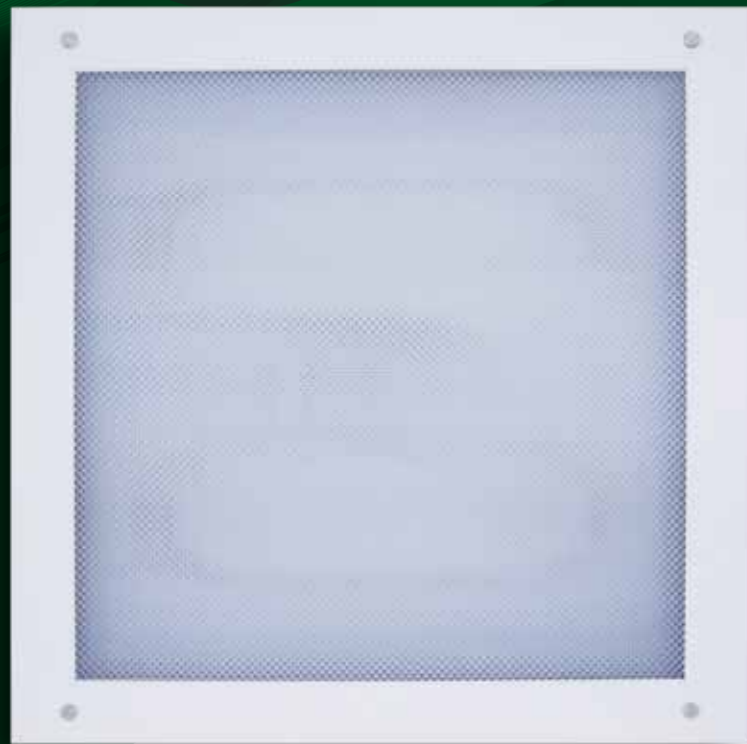


EYE PROTEX IP54

RECESSED FLUORESCENT LUMINAIRES - WITH BUILT IN PRESENCE AND DAYLIGHT DETECTION

For healthcare, clean rooms and leisure application

Recessed Eye Protex luminaire complete with IP54 attachment.



Lamp Options

- T5: 16mm Fluorescent Tubes
- PL-L: Compact Fluorescent

Product Specification

- Certified ingress protection to IP54
- High frequency control gear
- Prismatic diffuser supplied as standard
- Rigid modular shape metalwork
- Fitted with a fused terminal block
- Finished in a Pearl Rezi-TEX coating
- Excluding lamp
- An ECA compliance calculator is available on our website to verify compliance of this or any other luminaire with the latest ECA standard

Intelligent Options

(Add suffix to order code)

- /FM21:** Microwave with 10% on standby
- /FSLV:** Slave luminaire for use with /FM21 master luminaire

Optional Features

(Add suffix to order code)

- /OPAL:** Supplied with opal diffuser
- /840:** Supplied with colour 840 lamps

Optional Accessories

- UVM/LFBK:** Lumifix brackets kit (4 in No)
- /IP65:** Supplied with suitable attachment for ingress protection to IP65

Order Codes (must include a Suffix from the Intelligent Options)

Excluding Lamps

PL-L

Order Code	Watt	L	B	L1	B1
UVM2PL40/IP54	2 x 40	598	598	580	580
UVM2PL55/IP54	2 x 55	1198	298	1180	280

T5

Order Code	Watt	L	B	L1	B1
UVM314/IP54	3 x 14	598	598	580	580
UVM328/IP54	3 x 28	1198	598	1180	580
UVM414/IP54	4 x 14	598	598	580	580
UVM428/IP54	4 x 28	1198	598	1180	580

Example order code:

UVM428/IP54/FM21 – A 4 x 28 watt T5 Eye Protex 600 x 600 luminaire which dims between 10% and 100% depending on presence and daylight detected by integral microwave with an IP54 attachment. Supplied without lamps.



Applications:

- Store rooms
- Clean rooms
- Healthcare buildings
- Leisure centres

Installation

Exposed T	✓
Plasterboard	✓
Metal Pan	✓
Surface	✗
Suspended	✗

Speed Wiring

- /TW3** - 3 way
- /TW4** - 4 way
- /TW6** - 6 way

See Page 214-215 for details

Intelligent Options

Our technical team can help you to design a practical solution for your specific needs.

Please contact us so that we can assist you to consider the best options from our full range of lighting controls.



Gear options

- /M3:** 3hr Emergency
- /S3:** Self Test Emergency