

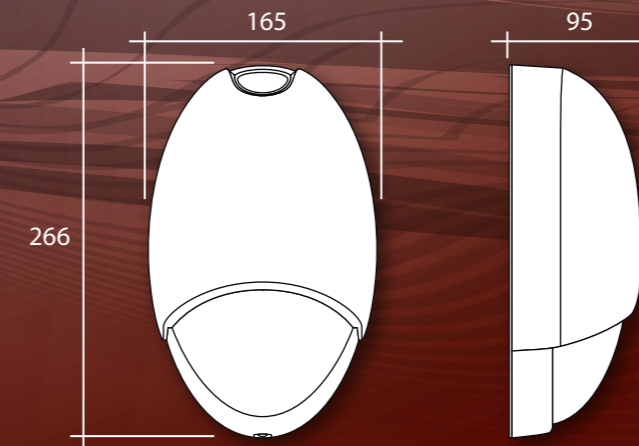


The Deco LED comprising 50mm diameter lamp unit containing charge indicator and white power LED, with articulated remote box enclosing non-maintained driver, charger, and battery.

After a period of 16 hours the unit will be capable of achieving a 3-hour emergency duration.



The product provides full automatic testing in accordance with IEC 62034.



Lamp Options



LED: Light Emitting Diode

Product Specification

- Certified ingress protection to IP65
- Die cast aluminium body and polycarbonate diffuser
- For photometry details refer to Page 219 graph ref PC049

Optional Features

(Add suffix to order code)

/PEC: Dusk to dawn sensing photo-electric cell

/M90: Maintained 90 minute emergency

/M90-CS20: Maintained 90 minute emergency with auto test

/NM90: Non maintained 90 minute emergency

/NM90-CS20: Non maintained 90 minute emergency with auto test

Order Codes

Including Lamps

Order Code	Watt	Lamp
DECLED10	10	LED
DECLED13	13	LED

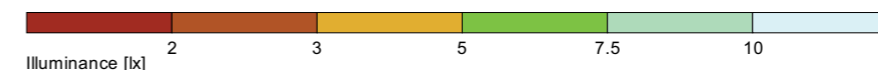
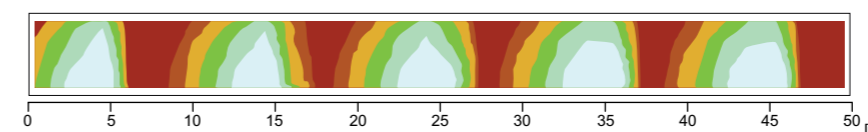
Example order code:

DECLED10 – A 10 watt Deco LED luminaire.



Applications:

- Office Emergency Lighting
- Auditorium Emergency Lighting
- Lecture Hall Emergency Lighting



Total Collected Power = 810.0 lm

Maximum Intensity = 560 cd

Calculation results, 13W LED 10m Spacing 5mh