

VEGA IP66

PRECISION HIGH POWER FLOODLIGHT
For special application



Pictured with internal glare control baffle



Pictured with anti-glare visor and internal glare control baffle

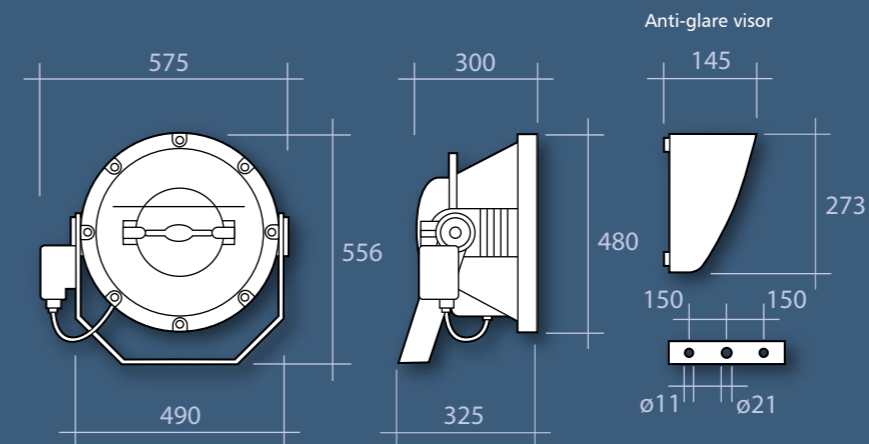


Applications:

- Sports stadiums
- Golf driving ranges
- Football stadiums
- High power precision floodlighting

High power precision floodlight incorporating a short arc 1000 or 2000 watt metal halide lamp. The ignitor is mounted on the stirrup in an IP65 enclosure and the control gear is in a remote IP65 die cast aluminium housing.

Designed and manufactured to comply with EN 60598 and are CE certified.



Lamp Options



QDES/C: Linear Short Arc Metal Halide with Cable Connection

Standard Features

- Certified ingress protection to IP66
- Short arc linear metal halide lamp included
- Highly durable die cast aluminium body with a removable frame
- Toughened glass front cover
- Highly specular precision symmetric reflector with optional internal glare control baffle
- Separate IP65 ignitor enclosure for improved reliability
- Quality 380/415 volt three phase remote IP65 gear box can be mounted up to 30 metres from the floodlight for reduced weight and windage
- Premium quality sub components for a long service life
- Mains isolating switch on rear lamp replacement panel for improved safety
- Heavy duty adjustable stirrup with aiming facility for precision mounting
- All gasket are manufactured from heat resistant silicone rubber to ensure IP66 rating
- **Windage guide = 0.20m²**

To Order Features

(Add suffix to order code)

/TI: Timed ignitor to prevent lamp cycling

Accessories

/AGV: Anti-Glare Visor for an improved angle of cut off

/CG: Ceramic glass - required when floodlight is angled above 70° from the vertical

/IGCB: Internal glare-control baffle

IP65 Control Gear Box

Remote mounting cast aluminium IP65 control gearbox.

- Size – 255mm x 185mm x 165mm
- Fixing centres - 230mm x 170mm
- Weight 1000 watt - 12.10 Kg's
- Weight 2000 watt - 11.5 Kg's

For fixing brackets see pages 72/73

Floodlight poles and furniture can be found on pages 108/109

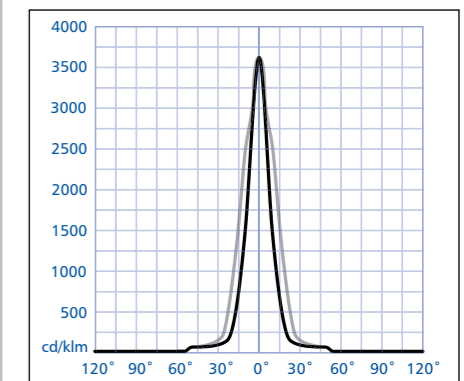
Specification Guide

Order Code	Watt	Kg	Lamp
VGA1000Q	1000	12.5	QDES/C
VGA2000Q*	2000	12.5	QDES/C

* Please note the supply voltage for this luminaire is 380/415 volts three phase.

Example order code:
VGA2000Q/GV – A 2000 watt 380/415 volt three phase metal halide IP66 floodlight with an aluminium body, remote control gear to IP65, optional internal glare control baffle, anti glare visor and lamp.

Photometry



VGA2000Q (without IGCB or AGV)