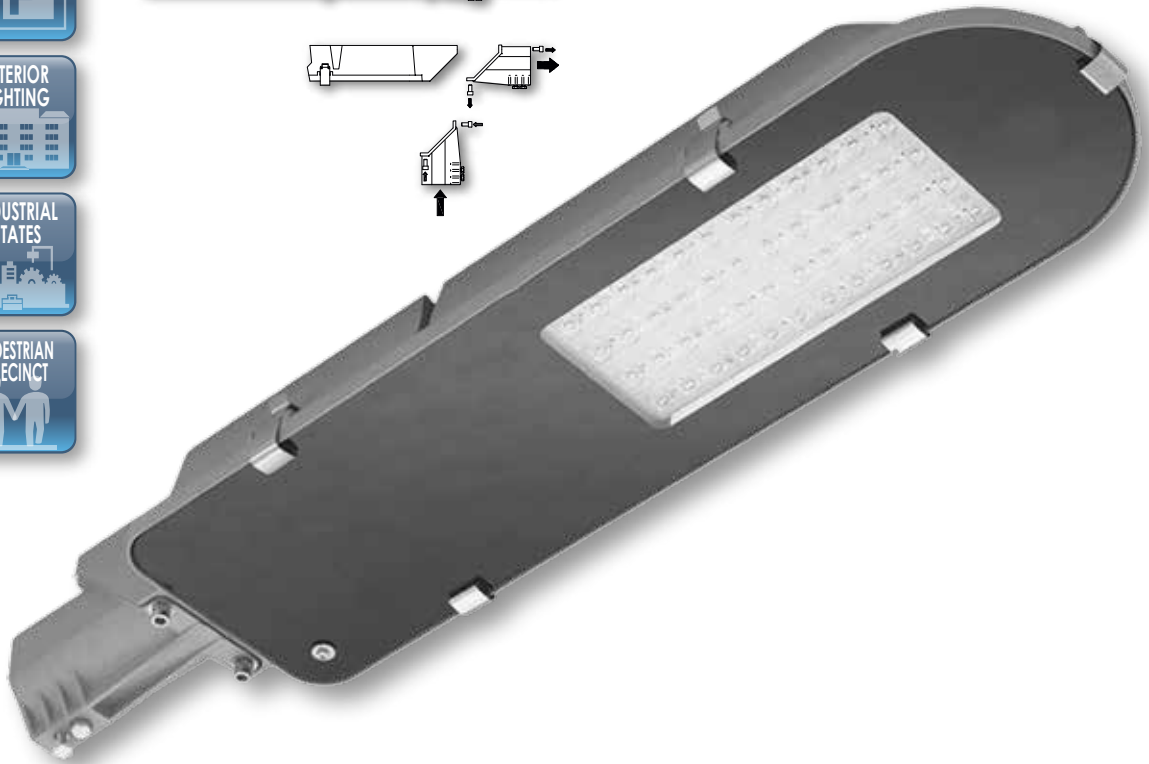


STELLAR LED



A range of installation columns and brackets are available - Please contact our sales team for further information.

5000K COOL WHITE	95 LM/W	38W-103W LED	3 YEAR* WARRANTY	IP65 RATING	CRI >70	30,000* HOURS	OP. TEMP -20°C to +40°C	VOLTAGE AC220 - 240V	WIRELESS COMPATIBLE Eye·Wi
----------------------------	-------------------	------------------------	----------------------------	-----------------------	-------------------	-------------------------	---	--------------------------------	--

- Stellar LED uses Osram high efficiency and long life LED's.
- Combining ultra efficient optics with excellent energy saving and long life operation with the additional benefit of minimum maintenance.
- Robust high quality aluminium body finished in grey colour.
- Asymmetric PMMA wide beam optic lenses
The optimal heights for the lenses are as follows;
Asymmetric beam for 6 to 10 metres.
Symmetric beam for 4 to 8 metres.
- Multi-purpose mounting flange 60mm dia, for post/bracket.
- Constant current LED driver. Stainless steel clips.



Code	Description	Watt
LST40/5K	Wide asymmetric beam 4000 lm - LED	38
LST50/5K	Wide asymmetric beam 5300 lm - LED	55
LST75/5K	Wide asymmetric beam 7700 lm - LED	75
LST90/5K	Wide asymmetric beam 9200 lm - LED	103
LSTN36/5K	Narrow symmetric beam 3780 lm - LED	36

This fitting is available with a wide variety of dimmable control options including Eye-Wi. Contact the sales office for more information.

Potential Return on Investment

Annual cost saving	Lifetime cost saving	Lifetime CO ₂ reduction	Extended warranty
£6,007	£42,055	24T/CO ₂ e	3 years

Energy and maintenance savings are based on 18 hour a day, 7 day a week operation against discharge streetlights.

Additional savings will be available through the use of lighting controls.