

# SILVER SPEAR 2000 IP66

HIGH POWER FLOODLIGHT

For general area lighting where higher light levels are needed



High performance premium quality floodlight with precision optics for 2000 watt metal halide lamps.

Designed and manufactured to comply with EN 60598 and are CE certified.

Symmetric narrow beam reflector

Asymmetric narrow beam reflector

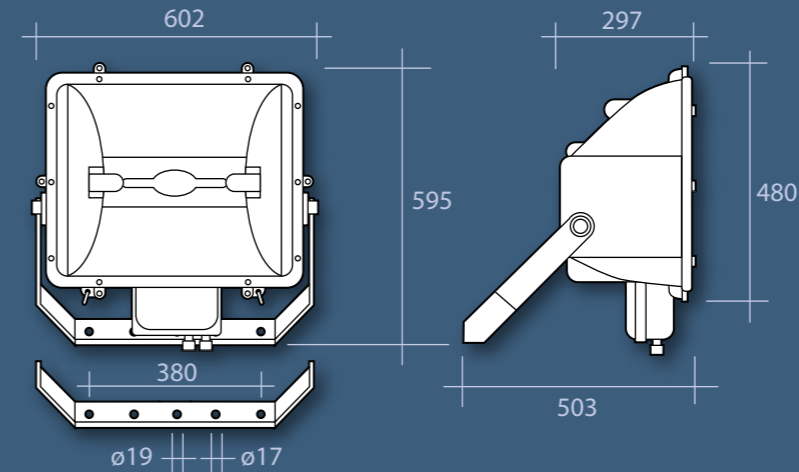


High intensity circular reflector



## Applications:

- Football pitches
- Golf driving ranges
- Training grounds
- Stadium lighting
- Security and general access
- Railway marshalling yards
- Lorry parks
- Docks



## Lamp Options



QDEL/C: Linear Long Arc Metal Halide with Cable Connection

## Standard Features

- Certified ingress protection to IP66
- Metal halide lamp included
- Highly durable die cast aluminium body
- Epoxy powder coated for maximum corrosion resistance (RAL 9006)
- High purity anodised aluminium reflector with a glare control baffle for maximum comfort
- Quality 380/415 volt three phase remote IP65 gear box can be mounted up to 30 metres from the floodlight for reduced weight and windage
- Wired with high temperature silicone insulated cable for maximum heat resistance
- Easy maintenance with hinged down toughened glass front
- Captive fixings and rugged construction for a long service life
- Adjustable stirrup with aiming facility for precision mounting
- All gaskets are manufactured from heat resistant silicone rubber to ensure the IP66 rating
- **Windage guide - 0.26m<sup>2</sup>**

## IP65 Control Gear Box

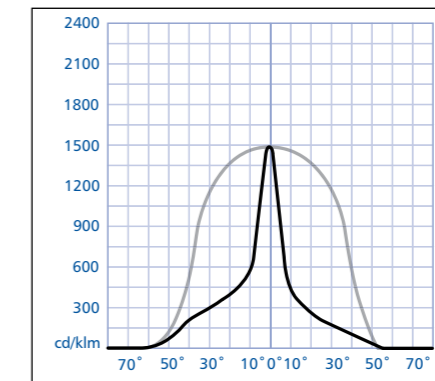
Remote mounting cast aluminium IP65 control gearbox.

- Size - 255mm x 185mm x 165mm
- Weight - 11.5 Kg's

For fixing brackets see pages 72/73

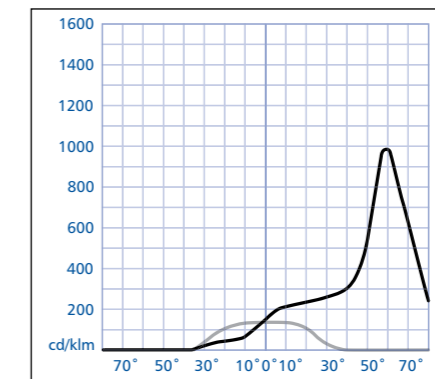
Floodlight poles and furniture can be found on pages 108/109

## Photometry



SSP2000Q/SYN

## Photometry



SSP2000Q/ASN

## Specification Guide

Order Code	Watt	Kg	Lamp
SSP2000Q/*	2000	19.4	QDEL/C

\*/ Please note requires a reflector option

## Reflector options

(Add suffix to order code)

/ASN: Asymmetric narrow beam

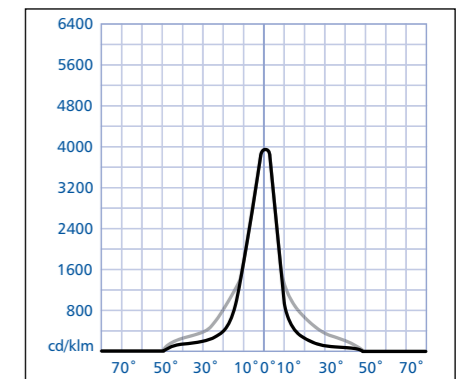
/SYN: Symmetric narrow beam

/HIC: High intensity circular

Example order code:

SSP2000Q/HIC - A 2000 watt metal halide floodlight with an IP66 aluminium body, high intensity circular reflector, remote control gear within an IP65 box and complete with lamp.

## Photometry



SSP2000Q/HIC