

SILVER SABRE 3 IP66

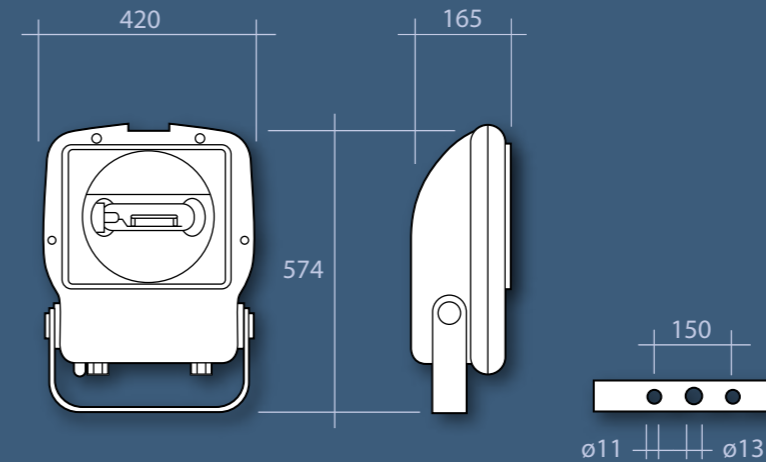
ALUMINIUM PRECISION FLOODLIGHT

For accurate illumination



Precision engineered die cast aluminium premium quality floodlight. Incorporating either 250 or 400 watt high pressure sodium or metal halide lamp, with a choice of six reflector options.

Designed and manufactured to comply with EN 60598-1 and is CE certified.



Lamp Options



S: Tubular High Pressure Sodium



Q: Tubular Metal Halide

Standard Features

- Certified ingress protection to IP66
- Choice of metal halide or high pressure sodium lamp included
- Highly durable die cast aluminium body
- Stylish silver epoxy powder coating for improved corrosion resistance (RAL 9006)
- Choice of asymmetric, symmetric, or high intensity beam to best suit the application
- High purity anodised aluminium reflectors for improved efficiency
- High intensity reflector fitted with a glare control baffle for maximum comfort
- Quality integral control gear for trouble free use
- Wired with high temperature silicone insulated cable for maximum heat resistance
- Easy maintenance with hinged toughened front cover
- Captive vandal resistant fixings and rugged construction for a long service life
- Adjustable stirrup with aiming facility for precision mounting
- Quick release clip to release the front cover for speedy lamp replacement
- All gaskets are manufactured from heat resistant silicone rubber to ensure the IP66 rating

• **Windage guide = 0.20m²**

To Order Features

(Add suffix to order code)

/TI: Timed ignitor to prevent lamp cycling

/FTB: Fused terminal block

Accessories

/WG: Wire guard for improved protection

/AGV: Anti-Glare Visor for an improved angle of cut off

/CL: Circular louvre (for use with /HIC)

/PL: Protective louvre

Photometry

For full photometric details please contact our technical department

For fixing brackets see pages 72/73

Floodlight poles and furniture can be found on pages 108/109

Specification Guide

Order Code	Watt	Kg	Lamp
SS3250S/*	250	13.4	S
SS3400S/*	400	14.6	S
SS3250Q/*	250	13.4	Q
SS3400Q/*	400	14.6	Q

*/ Please note requires a reflector option

Reflector Options

/ASN: Asymmetric narrow beam

/ASB: Asymmetric broad beam

/SYN: Symmetric narrow beam

/SYM: Symmetric medium beam

/SYB: Symmetric broad beam

/HIC: High intensity circular

Example order code:
SS3250S/TI/SYN – A 250 watt high pressure sodium floodlight with an IP66 aluminium body, integral control gear, timed ignitor, a symmetric narrow beam reflector and complete with lamp.

Glare Control Visor



Wire Guard



Applications:

- Architectural features
- Historic buildings
- Churches
- Sports facilities
- Statues