

# SILVER SABRE 1 IP67

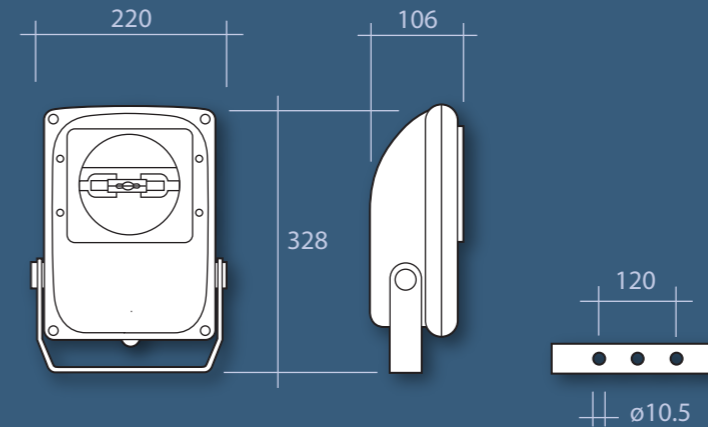
ALUMINIUM PRECISION FLOODLIGHT

For accurate illumination



Precision engineered die cast aluminium premium quality floodlight. Incorporating a 70 watt high pressure sodium or metal halide lamp, with a choice of five reflector options.

Designed and manufactured to comply with EN 60598-1 and is CE certified.



## Lamp Options



SDE: Linear High Pressure Sodium



QDE: Linear Metal Halide

Wire Guard



Glare Control Visor



## Applications:

- Architectural features
- Historic buildings
- Churches
- Sports facilities
- Statues

## Standard Features

- Certified ingress protection to IP67
- Choice of metal halide or high pressure sodium lamp included
- Highly durable die cast aluminium body
- Stylish silver epoxy powder coating for improved corrosion resistance (RAL 9006)
- Choice of asymmetric, symmetric, or high intensity beam to best suit the application
- High purity anodised aluminium reflectors for improved efficiency
- High intensity reflector fitted with a glare control baffle for maximum comfort
- Quality integral control gear for trouble free use
- Wired with high temperature silicone insulated cable for maximum heat resistance
- Easy maintenance with hinged toughened front cover
- Captive vandal resistant fixings and rugged construction for a long service life
- Adjustable stirrup with aiming facility for precision mounting
- All gaskets are manufactured from heat resistant silicone rubber to ensure the IP67 rating

• **Windage guide = 0.06m<sup>2</sup>**

## To Order Features

(Add suffix to order code)

**/TI:** Timed ignitor to prevent lamp cycling

**/FTB:** Fused terminal block

## Accessories

**/WG:** Wire guard for improved protection

**/AGV:** Anti-Glare Visor for an improved angle of cut off

**/CL:** Circular louvre (for use with /HIC)

**/PL:** Protective louvre

## Photometry

For full photometric details please contact our technical department

**For fixing brackets see pages 72/73**

**Floodlight poles and furniture can be found on pages 108/109**

## Specification Guide

Order Code	Watt	Kg	Lamp
SS170S/*	70	4.1	SDE
SS170Q/*	70	4.1	QDE

\* / Please note requires a reflector option

## Reflector Options

**/ASN:** Asymmetric narrow beam

**/ASB:** Asymmetric broad beam

**/SYN:** Symmetric narrow beam

**/SYB:** Symmetric broad beam

**/HIC:** High intensity circular

Example order code:

SS170Q/TI/ASN – A 70 watt metal halide floodlight with an IP67 aluminium body, integral control gear, timed ignitor, an asymmetric narrow beam reflector and complete with lamp.