

SILVER LANCE 1000 IP66

HIGH POWER FLOODLIGHT

For general area lighting where higher light levels are needed



Symmetric narrow beam reflector

Asymmetric narrow beam reflector



High intensity circular reflector

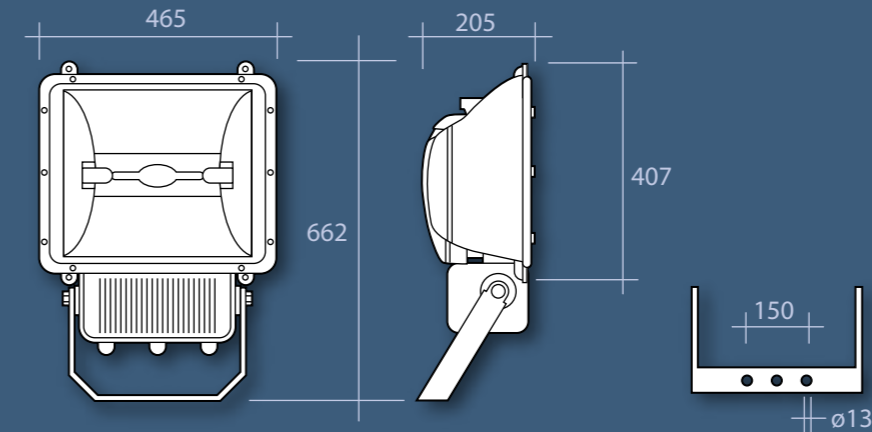


Applications:

- Football pitches
- Golf driving ranges
- Training grounds
- Stadium lighting
- Security and general access
- Railway marshalling yards
- Lorry parks
- Docks

High performance premium quality floodlight with precision optics for 1000 watt metal halide lamps.

Designed and manufactured to comply with EN 60598 and are CE certified.



Lamp Options



QDEL/C: Linear Long Arc Metal Halide with Cable Connection

Standard Features

- Certified ingress protection to IP66
- Metal halide lamp included
- Highly durable die cast aluminium body
- Epoxy powder coated for maximum corrosion resistance (RAL 9006)
- High purity anodised aluminium reflector with a glare control baffle for maximum comfort
- Quality integral control gear for trouble free use
- Wired with high temperature silicone insulated cable for maximum heat resistance
- Easy maintenance with hinge down toughened glass front
- Captive fixings and rugged construction for a long service life
- Adjustable stirrup with aiming facility for precision mounting
- All gaskets are manufactured from heat resistant silicone rubber to ensure the IP66 rating
- **Windage guide - 0.22m²**

To Order Features

(Add suffix to order code)

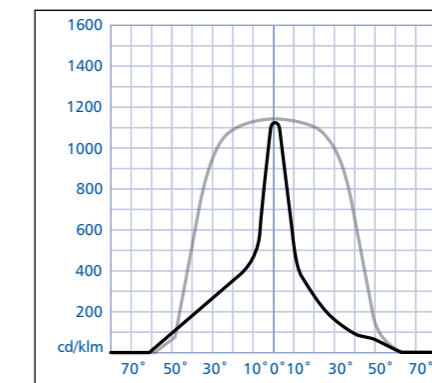
/TI: Timed ignitor to prevent lamp cycling

/FTB: Fused terminal block

For fixing brackets see pages 72/73

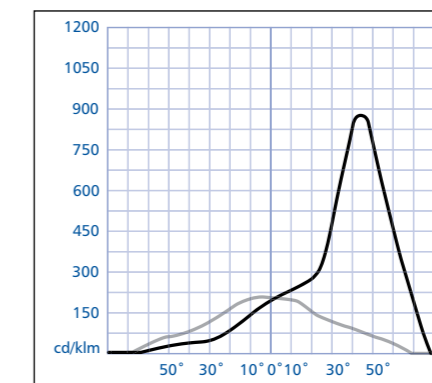
Floodlight poles and furniture can be found on pages 108/109

Photometry



SLA1000Q/SYN

Photometry



SLA1000Q/ASN

Specification Guide

Order Code	Watt	Kg	Lamp
SLA1000Q/*	1000	25.4	QDEL/C

* / Please note requires a reflector option

Reflector options

(Add suffix to order code)

/ASN: Asymmetric narrow beam

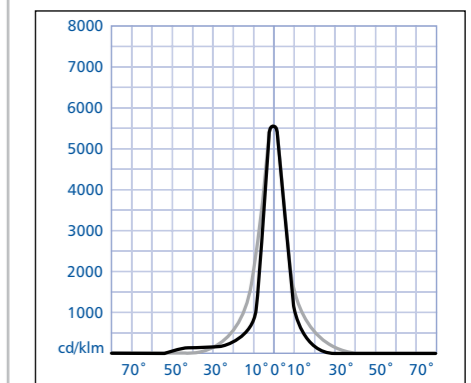
/SYN: Symmetric narrow beam

/HIC: High intensity circular

Example order code:

SLA1000Q/TI/ASY - A 1000 watt metal halide floodlight with an IP66 aluminium body, integral control gear with a timed ignitor, asymmetric narrow beam reflector and complete with lamp.

Photometry



SLA1000Q/HIC