

# SILVER COMFORT IP66

ARCHITECTURAL HIGH BAY

For specialised retail and industrial application

A very durable premium quality attractive range of precision high bay luminaires incorporating either 250 or 400 watt metal halide or high pressure sodium discharge lamps.

**Available in two versions:**

1. Stylish polycarbonate refractor
2. Part high purity aluminium reflector with a polycarbonate refractor skirt

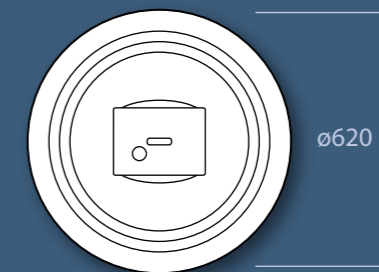
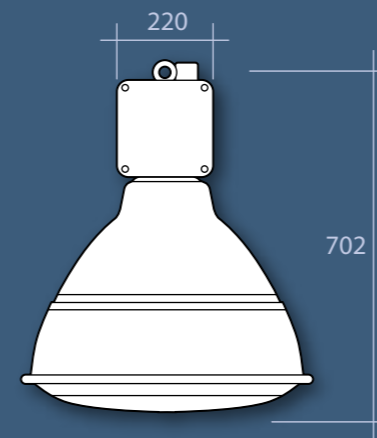
Designed and manufactured to comply with EN 60598 and are CE certified.



1



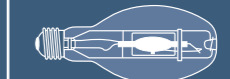
2



**Lamp Options**



S: Tubular High Pressure Sodium



Q/P: Elliptical Metal Halide - Protected

**Standard Features**

- Certified ingress protection to IP66
- Attractive rounded and balanced design
- Polycarbonate diffuser
- Choice of metal halide or high pressure sodium lamp included
- Choice of two optics:
  1. Part high purity aluminium reflector with UV stabilised polycarbonate refractor skirt
  2. Full UV stabilised polycarbonate refractor
- Wired with high temperature silicone insulated cable for maximum heat resistance
- Quality sub components used for an extended service life
- Can be used with Sylvania twin arc high pressure sodium lamps for extended life
- Choice of four lamp positions to suit varying applications
- Body colour RAL 9006

**To order Features**

(Add suffix to order code)

**/TI:** Timed ignitor to prevent lamp cycling

**/FTB:** Fused terminal block

**Accessories**

**/SREF:** Part aluminium reflector with polycarbonate refractor skirt

**/PREF:** Polycarbonate refractor

**Specification Guide**

Order Code	Watt	Kg	Lamp
SCO250S/CD	250	8.5	S
SCO400S/CD	400	9.5	S
SCO250Q/CD	250	8.5	Q/P
SCO400Q/CD	400	9.5	Q/P

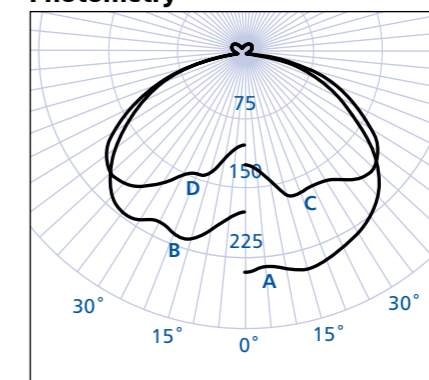
Example order code:  
SCO400Q/CD/SREF/ - A 400 watt metal halide IP66 high bay luminaire fitted with a timed ignitor, spun aluminium reflector with polycarbonate refractor skirt, conical polycarbonate diffuser and complete with lamp.



**Applications:**

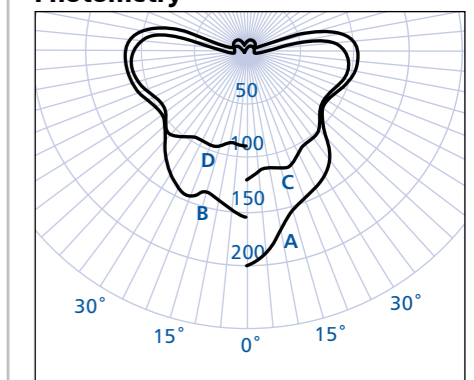
- Internal sports facilities
- Retail super stores
- Food preparation areas
- Warehousing
- Manufacturing plants
- Atriums
- Large public buildings
- Museums

**Photometry**



SCO400Q/SREF/CD  
A, B, C & D = lamp positions

**Photometry**



SCO400Q/PREF/CD  
A, B, C & D = lamp positions