

RAMA IP65

VANDAL RESISTANT WALL PACK

For access and security applications

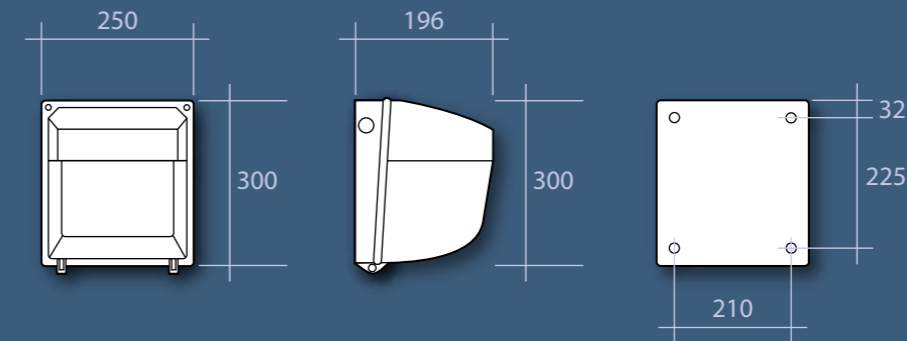
High efficiency wall mounted luminaire incorporating metal halide, high pressure sodium, or mercury discharge lamp with power ratings ranging from 50 to 125 watts.

Designed and manufactured to comply with EN 60598 and are CE certified.



Applications:

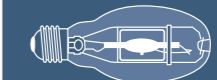
- Security and general access
- Architectural features
- Exterior lighting
- Footpaths
- Tunnels



Lamp Options



SI: Elliptical Diffuse High Pressure Sodium – Internal Ignitor



Q/P: Elliptical Metal Halide – Protected



M: Elliptical Diffuse Mercury

Standard Features

- Certified ingress protection to IP65
- Choice of metal halide, high pressure sodium or mercury lamp included
- Vandal resistant UV stabilised polycarbonate body and diffuser
- Flush mounting to prevent fitting being levered away from the wall
- High purity anodised reflector for improved efficiency
- Quality integral control gear for trouble free use
- Easy installation/maintenance with hinge down diffuser
- Captive fixings and rugged construction for a long service life
- All gaskets are manufactured from heat resistant silicone rubber to ensure the IP65 rating

To order Features

(Add suffix to order code)

/TI: Timed ignitor to prevent lamp cycling

/FTB: Fused terminal block

/PEC: Dusk to dawn sensing photo-electric cell

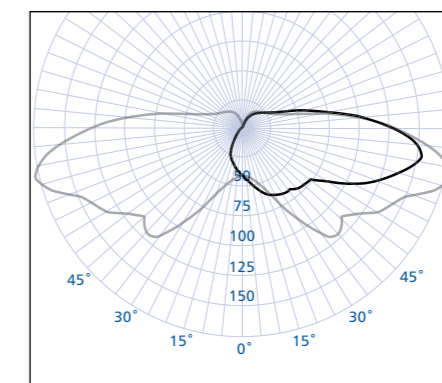
Specification Guide

Order Code	Watt	Kg	Lamp
WWP50S	50	3.25	SI
WWP70S	70	3.25	SI
WWP70Q	70	3.3	Q/P
WWP80M	80	3.3	M
WWP125M	125	3.4	M

Example order code:

WWP80M/PEC – An 80 watt mercury IP65 wall pack with a photo-electric cell complete with lamp.

Photometry



WWP70S