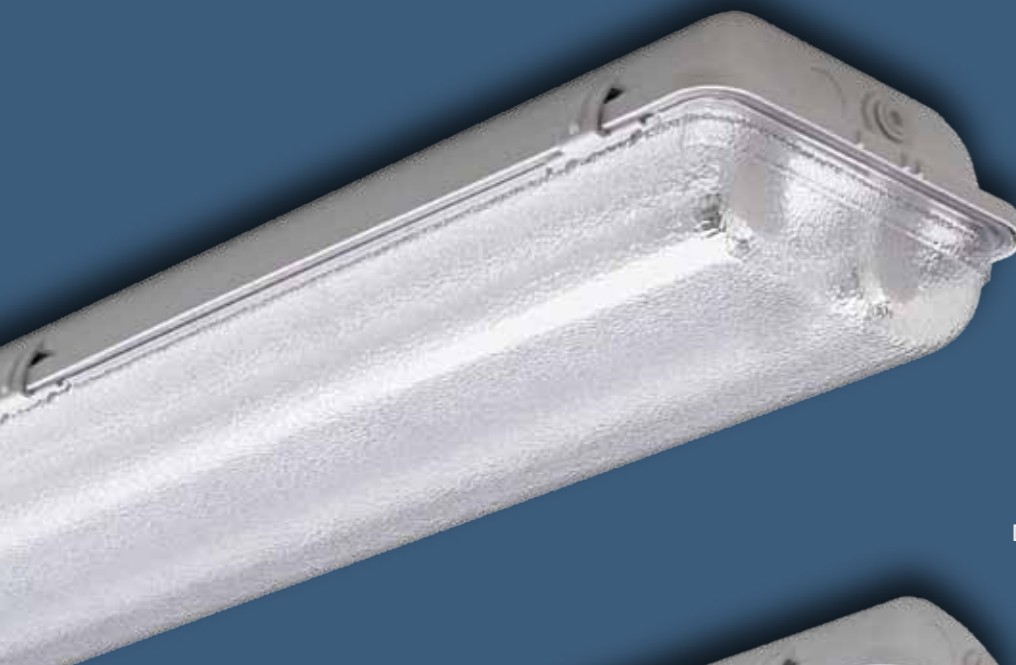


# POLYLEX IP65

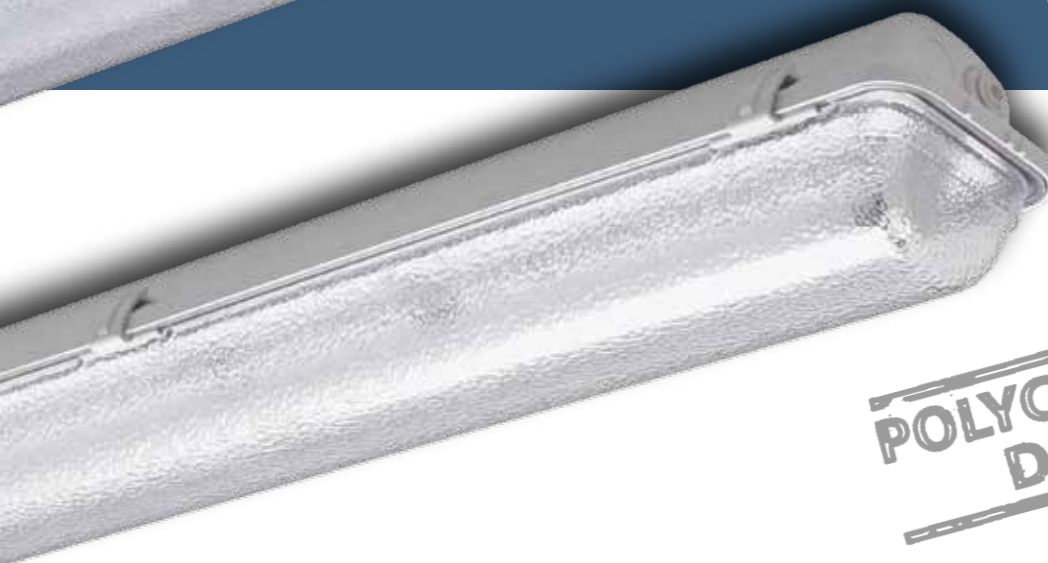
CORROSION RESISTANT FLUORESCENT LUMINAIRES

For general, industrial and commercial application



Highly durable and versatile luminaires which offer resistance to impact and the adverse effect of moisture, dirt and dust. With the introduction of stainless steel diffuser retention clips vandal resistance is also achieved.

Designed and manufactured to comply with EN 60598 and are CE certified.



**POLYCARBONATE DIFFUSER**

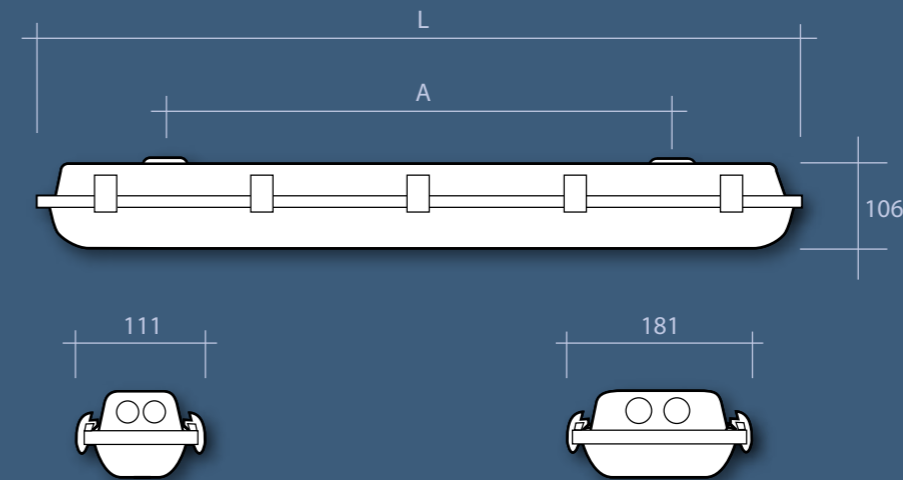


### Applications:

- Warehousing
- Food preparation areas
- Manufacturing plants
- Cold stores
- Multi storey car parks
- Retail Super Stores
- Under canopy lighting

### Ambient temperature guidance

Switch start	0°C - +30°C
High frequency	-25°C - +30°C
Integral emergency	0°C - +25°C



### Lamp Options

T8: 26mm Fluorescent Tubes  
T5: 16mm Fluorescent Tubes

### Standard Features

- Certified ingress protection to IP65
- Option of T8 or T5 fluorescent lamps
- Fire retardant UV stabilised impact resistant polycarbonate diffuser
- Glass fibre re-enforced polyester body for maximum durability
- Diffuser retention clips captive to the diffuser for ease of installation
- Quality control gear and sub components for maximum service life
- Quick fix mounting with special "C" washers included in the fixing kit
- Multiple 20 mm knock out entry points for maximum installation choice
- Modern tooling ensures precision mouldings for a perfect fit every time
- Poured neoprene closed cell anti-ageing gasket for a perfect seal
- Powder coated gear tray ensures no sharp edges
- Class B2 Switch start control gear

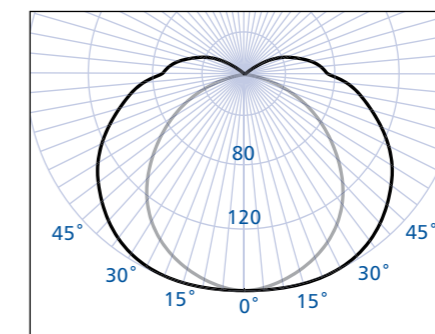
### To Order Features

(Add suffix to order code)

- /HF:** High frequency control gear
- /HFDDIM:** High frequency digital dimming control gear. (Up to 58 watt T8)
- /HFADIM:** High frequency analogue dimming control gear. (1-10 volt control T8 only)
- /E3INT:** Integral maintained three hour emerg
- /E3:** Remote maintained three hour emergency (IP 20 rated)
- /LSF:** Low smoke and fume wiring
- /SSCLIP:** Stainless steel diffuser retention clips
- /SSCLIP/VR:** Vandal resistance stainless steel diffuser retention clips
- /WCRGTCLIP:** Gear tray locking clips (Two per fitting)
- /S-RING:** Plastic encased steel suspension ring (Two per fitting)
- /CS-30:** Suitable for use in environments down to -30 degrees centigrade

For Accessories please see pages 30/31

### Photometry



PCR236

### Specification Guide

#### T8 Tube

Order Code	Watt	L	A	Clips	Kg
PCR118*	1 x 18	670	460	6	1.80
PCR136	1 x 36	1278	800	8	2.80
PCR158	1 x 58	1578	1100	10	3.80
PCR170	1 x 70	1840	1164	12	4.10
PCR218	2 x 18	670	460	6	2.40
PCR236	2 x 36	1278	800	8	4.20
PCR258	2 x 58	1578	1100	10	5.80
PCR270	2 x 70	1840	1164	12	6.40

\* only available with remote emergency option /E3.

#### T5 Tube

Order Code	Watt	L	A	Clips	Kg
PCRT5114*	1 x 14	670	460	6	1.40
PCRT5128	1 x 28	1278	800	8	2.40
PCRT5154*	1 x 54	1278	800	8	2.40
PCRT5135	1 x 35	1578	1100	10	3.00
PCRT5149	1 x 49	1578	1100	10	3.00
PCRT5180*	1 x 80	1578	1100	10	3.00
PCRT5214	2 x 14	670	460	6	1.90
PCRT5224*	2 x 24	670	460	6	1.90
PCRT5228	2 x 28	1278	800	8	3.30
PCRT5254	2 x 54	1278	800	8	3.30
PCRT5235	2 x 35	1578	1100	10	4.10
PCRT5249	2 x 49	1578	1100	10	4.10
PCRT5280*	2 x 80	1578	1100	10	4.10

\* only available with remote emergency option /E3.

Example order code:  
PCR258/HF/E3INT/SSCLIP/VR - A 2 x 58 watt T8 corrosion resistant IP65 fluorescent luminaire with high frequency control gear, polycarbonate diffuser, integral emergency facility and stainless steel vandal resistant diffuser retention clips. Supplied without lamp.