

POLAR PROFESSIONAL IP20

HIGH BAY

For general industrial and commercial application

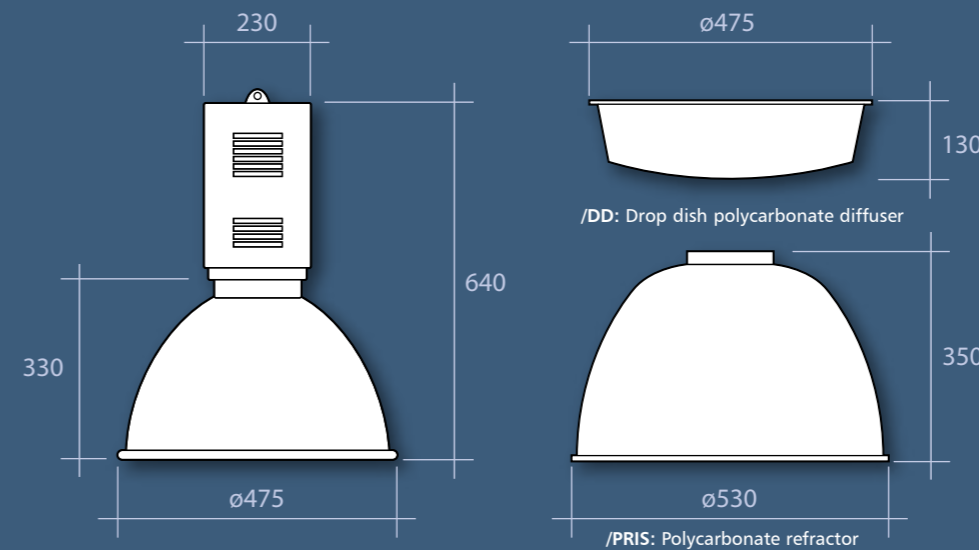


High performance and efficiency easy maintenance high bay luminaire incorporating either metal halide, high pressure sodium, or mercury discharge lamps with power ratings from 150 to 400 watts. A wide range of accessories are available to offer solutions for demanding applications.

Available in two versions:

1. High purity machine spun anodised aluminium reflector
2. Stylish polycarbonate refractor

Designed and manufactured to comply with EN 60598 and are CE certified



Lamp Options



S: Tubular High Pressure Sodium



Q: Tubular Metal Halide



M: Elliptical Diffuse Mercury

Special note: Elliptical Metal Halide - Protected lamps must be used with the drop dish polycarbonate diffuser and polycarbonate refractor.



Standard Features

- Certified ingress protection to IP20
- Choice of metal halide, high pressure sodium, or mercury lamp included
- Drop down polycarbonate access panels for ease of installation and maintenance
- Self cleaning reflector design for extended service intervals
- High purity machine spun anodised aluminium reflector to maximise efficiency
- Specially designed removable gear tray with quality sub components give a very long service life and easy maintenance
- Wired with high temperature silicone insulated cable for maximum heat resistance
- Metal halide versions supplied with toughened front glass for added safety
- Can be used with Sylvania twin arc high pressure sodium lamps for extended life

To order Features
(Add suffix to order code)

- /TI:** Timed ignitor to prevent lamp cycling
 - /FTB:** Fused terminal block
 - /TPS:** Power switching
 - /MHDIM:** Remote dimming metal halide
 - /GLASS:** Toughened front glass (for use with aluminium reflector)
 - /DD:** Drop dish polycarbonate diffuser - weight 1.2Kg (for use with aluminium reflector)
 - /PRIS:** Polycarbonate refractor (Metal halide use Q/P lamp)
 - /WVG:** Protective wire guard (for use with aluminium reflector)
 - /AUX:** Auxiliary start up lamp for improved safety
- For Accessories please see page 95**

Specification Guide

| Order Code | Watt | Kg | Lamp |
|------------|------|------|------|
| HB150S | 150 | 7.3 | S |
| HB250S | 250 | 8.1 | S |
| HB400S | 400 | 9.7 | S |
| HB250Q | 250 | 7.9 | Q |
| HB400Q | 400 | 10.1 | Q |
| HB250M | 250 | 7.4 | M |
| HB400M | 400 | 8.3 | M |

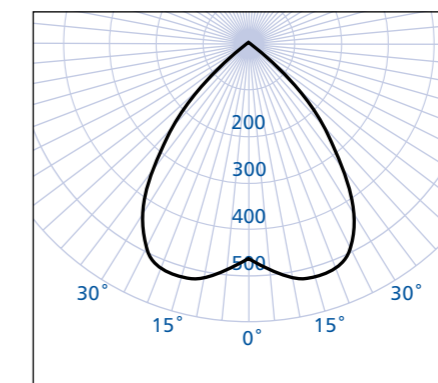
Example order code:
HB400S/TI/DD - A 400 watt high pressure sodium high bay luminaire fitted with a timed ignitor, spun aluminium reflector, polycarbonate drop dish diffuser and lamp.



Applications:

- Warehousing
- Manufacturing plants
- Aircraft hangers
- Internal sports facilities
- Retail super stores

Photometry



HB400S