

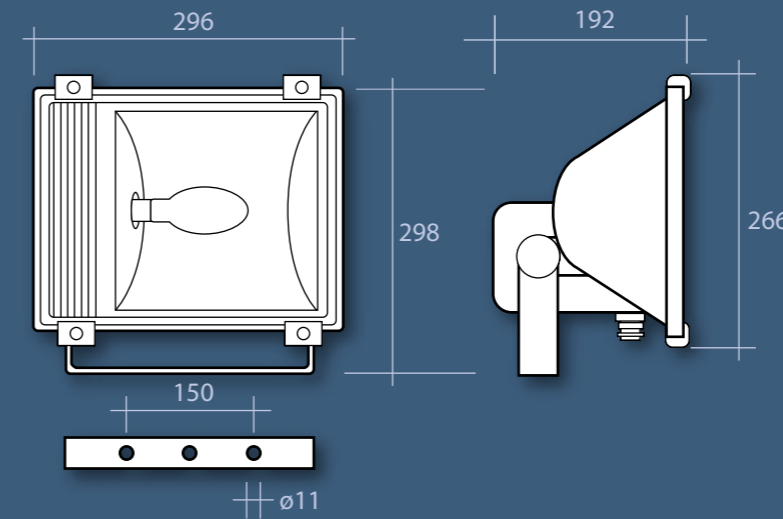
HAMBLE IP65

PROFESSIONAL POLYCARBONATE FLOODLIGHT

For general area lighting

High efficiency compact floodlight incorporating either a 70 watt metal halide or high pressure sodium lamp.

Designed and manufactured to comply with EN 60598 and are CE certified.



Lamp Options



SI: Elliptical Diffuse High Pressure Sodium with Integral Ignitor



QDE: Linear Metal Halide

Standard Features

- Certified ingress protection to IP65
- Choice of metal halide or high pressure sodium lamp included
- Highly durable UV stabilized impact resistant polycarbonate body
- Improved resistance to salt water corrosion
- High purity symmetric reflector for improved efficiency
- Quality integral control gear for trouble free use
- Wired with high temperature silicone insulated cable for maximum heat resistance
- Easy maintenance with quick release toughened glass front cover
- Captive fixings and rugged construction for a long service life
- Adjustable stirrup with aiming facility for precision mounting
- All gaskets manufactured from heat resistant silicone rubber to ensure IP65 rating
- **Windage guide = 0.065m²**

To Order Features

(Add suffix to order code)

/TI: Timed ignitor to prevent lamp cycling

/FTB: Fused terminal block

/PEC: Dusk to dawn sensing photo-electric cell

/WH: White housing

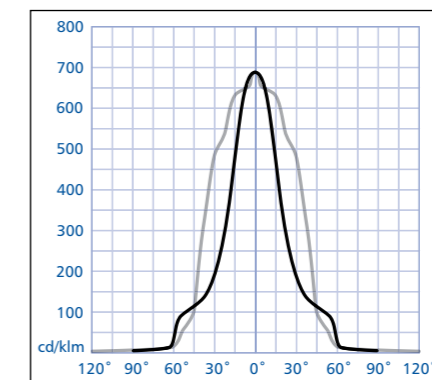
Accessories

/WG: Wire guard for improved protection

For fixing brackets see pages 72/73

Floodlight poles and furniture can be found on pages 108/109

Photometry



WFL70S/POLY

Specification Guide

Order Code	Watt	Kg	Lamp
WFL70S/POLY	70	5.6	SI
WFL70Q/POLY	70	5.5	QDE

Example order code:

WFL70Q/POLY/PEC – A 70 watt metal halide floodlight with an IP65 polycarbonate body with a photo-electric cell complete with lamp.



Application:

- Security and general access
- Marine floodlighting
- Roadway lighting
- Feature illumination
- Amenity lighting