

ACRYLEX 2 IP54

AESTHETIC CORROSION RESISTANT FLUORESCENT LUMINAIRES

For general, industrial and commercial application

A luminaire intended for installations where appearance is important, it offers resistance to chemical degradation and the adverse effect of moisture, dirt and dust.

Designed and manufactured to comply with EN 60598 and are CE certified.

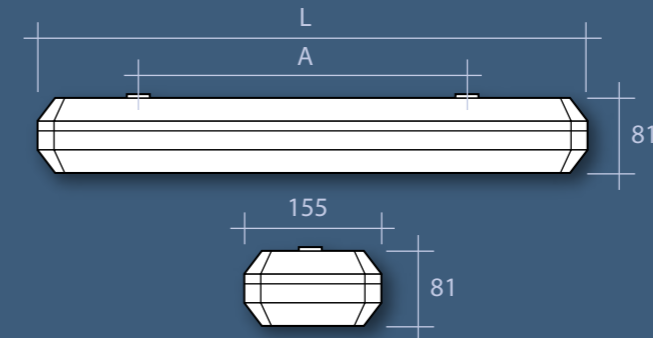


Applications:

- Schools and colleges
- Hospitals
- Store rooms
- Industrial and commercial premises

Ambient temperature guidance

Switch start 0°C - +30°C
High frequency -25°C - +30°C



Lamp Options



T8: 26mm Fluorescent Tubes

Standard Features

- Certified ingress protection to IP54
- Acrylic diffuser for greater resistance to chemical degradation
- Glass fibre re-enforced polyester body for maximum durability
- Push on locking diffuser for speedy installation and maintenance
- Quality control gear and sub components for maximum service life
- Modern tooling ensures precision mouldings for a perfect fit every time
- Class B2 Switch start control gear
- Fitted with pre-formed gasket for a perfect seal

To Order Features

(Add suffix to order code)

/HF: High frequency control gear

Specification Guide

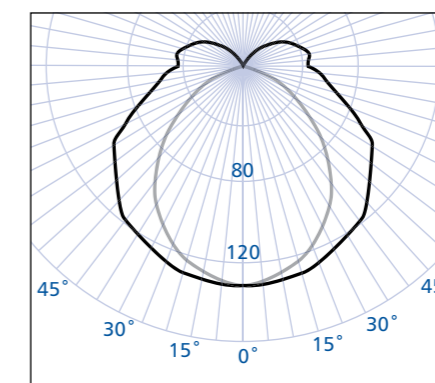
T8 Tube

Order Code	Watt	L	A	Kg
BVT118	1 x 18	675	500	1.9
BVT136	1 x 36	1282	900	2.95
BVT158	1 x 58	1582	1100	3.85
BVT218	2 x 18	672	500	1.95
BVT236	2 x 36	1282	900	3.60
BVT258	2 x 58	1582	1100	4.75

Example order code:

BVT136/HF – A 1 x 36 watt T8 corrosion resistant IP54 fluorescent luminaire with high frequency control gear and acrylic diffuser. Supplied without lamp.

Photometry



BVT236